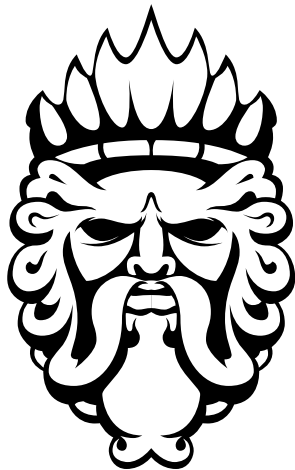
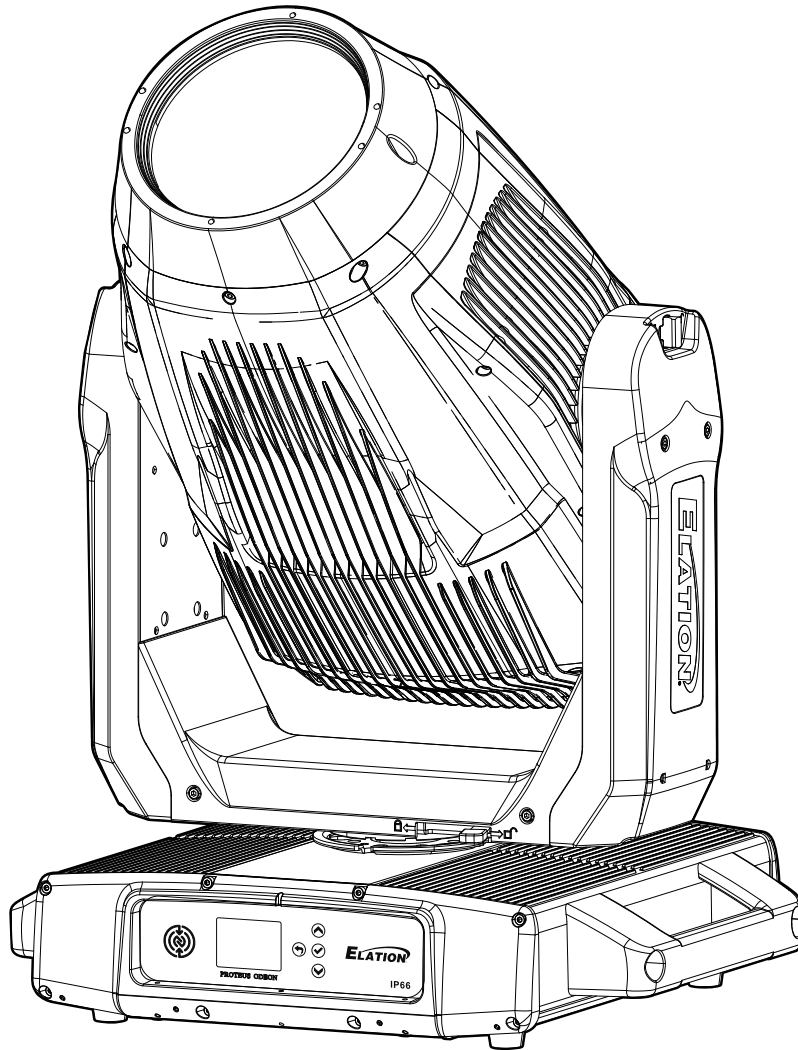


ELATION®



**PROTEUS
ODEON**

user manual

©2023 **ELATION PROFESSIONAL** all rights reserved. Information, specifications, diagrams, images, and instructions herein are subject to change without notice. ELATION PROFESSIONAL logo and identifying product names and numbers herein are trademarks of ELATION PROFESSIONAL. Copyright protection claimed includes all forms and matters of copyrightable materials and information now allowed by statutory or judicial law or hereinafter granted. Product names used in this document may be trademarks or registered trademarks of their respective companies and are hereby acknowledged. All non-ELATION brands and product names are trademarks or registered trademarks of their respective companies.

ELATION PROFESSIONAL and all affiliated companies hereby disclaim any and all liabilities for property, equipment, building, and electrical damages, injuries to any persons, and direct or indirect economic loss associated with the use or reliance of any information contained within this document, and/or as a result of the improper, unsafe, insufficient and negligent assembly, installation, rigging, and operation of this product.

Elation Professional USA | 6122 S. Eastern Ave. | Los Angeles, CA. 90040

323-582-3322 | 323-832-9142 fax | www.elationlighting.com | info@elationlighting.com

Elation Professional B.V. | Junostraat 2 | 6468 EW Kerkrade, The Netherlands

+31 45 546 85 66 | +31 45 546 85 96 fax | www.elationlighting.eu | info@elationlighting.eu

Elation Professional Mexico | AV Santa Ana 30 | Parque Industrial Lerma, Lerma, Mexico 52000

+52 (728) 282-7070

DOCUMENT VERSION



Due to additional product features and/or enhancements, an updated version of this document may be available online. Please scan the QR Code with your mobile device or visit www.elationlighting.com for the latest revision/update of this manual, before installation and/or programming.

Date	Document Version	Software Version	DMX Channels	Notes
12/19/2023	1.0	1.4.0	43/44/68/69	Initial release
12/27/2023	1.1	1.4.0	N/C	Updated Specifications

CONTENTS

General Information	4
IP66 Rated	5
Limited Warranty (USA Only)	6
Safety Guidelines	7
Overview	9
Colors and Gobos	10
Custom Gobos	11
Gobo Installation	13
Torque Settings for Screws	14
IP Test Parameters	15
Installation Guidelines	16
Sun Protection Mode Hibernation Mode	23
Fan Modes and Low Noise Operation	24
System Menu	25
Dimmer Mode / Dimmer Curve	31
DMX Traits: Channel Functions & Values	32
Color Temperature Chart	41
Virtual Colors Chart	42
Remote Device Management (RDM)	43
Error Codes	44
Software Updates	45
Maintenance Guidelines	50
Specifications	51
Dimensional Drawings	52
Optional Accessories	54

INTRODUCTION

Please read and understand the instructions in this manual carefully and thoroughly before attempting to operate this device. These instructions contain important safety and use information. **This device is intended for use by trained personnel only, and is not suitable for private use.**

UNPACKING

Every device has been thoroughly tested and has been shipped in perfect operating condition. Carefully check the shipping carton for damage that may have occurred during shipping. If the carton is damaged, carefully inspect the device for damage, and be sure all accessories necessary to install and operate the device have arrived intact. In the event that damage has been found or parts are missing, please contact our customer support team for further instructions. Please do not return this device to your dealer without first contacting customer support. Please do not discard the shipping carton in the trash. Please recycle whenever possible.

IP66 RATED

An IP rated lighting fixture is commonly installed in outdoor environments and has been designed with an enclosure that effectively protects against the ingress (entry) of external foreign objects such as dust and water. The International Protection (IP) rating system is commonly expressed as “IP” followed by two numbers (i.e. IP66) where the numbers define the degree of protection. The first digit (Foreign Bodies Protection) indicates the extent of protection against particles entering the fixture, while the second digit (Water Protection) indicates the extent of protection against water entering the fixture. **An IP66 rated lighting fixture, such as this one, has been designed and tested to protect against the ingress of dust (6) and powerful water jets from any direction (6).**

BOX CONTENTS

Omega Brackets (x2)

IP66 Rated RJ45 Data Cable (x1) - **FIXTURE TO FIXTURE INTERCONNECTION USE ONLY!**

IP66 Locking Power Cable (x1)

CUSTOMER SUPPORT

Contact ELATION Service for any product related service and support needs.

Also visit forums.elationlighting.com with questions, comments or suggestions.

ELATION SERVICE USA - Monday - Friday 8:00am to 4:30pm PST

323-582-3322 | Fax 323-832-9142 | support@elationlighting.com

ELATION SERVICE EUROPE - Monday - Friday 08:30 to 17:00 CET

+31 45 546 85 63 | Fax +31 45 546 85 96 | support@elationlighting.eu

REPLACEMENT PARTS - please visit parts.elationlighting.com

IP66 RATING

The **International Protection (IP)** rating system is denoted as “**IP**” (Ingress Protection) followed by two numbers (e.g., IP66), signifying the level of protection. The initial digit (Protection from Foreign Bodies) indicates the degree of safeguarding against solid particles entering the fixture, while the second digit (Protection from Water) specifies defense against water ingress. An **IP66** rated lighting fixture is meticulously designed and rigorously tested to shield against dust infiltration (**6**) and powerful water jets from any direction (**6**).

Maritime/Coastal Environment Installations:

Coastal environments are located near the sea and pose a corrosive risk to electronics due to exposure to atomized saltwater and high humidity. Maritime settings encompass areas within a 5-mile radius of coastal environments.

Maritime installations necessitate additional precautions and may require more frequent servicing due to their challenging environmental conditions. It’s essential to understand that IP ratings are initially based on freshwater conditions, while maritime environments are generally more “corrosive” to IP fixtures, both internally and externally. Periodic operation may be necessary during periods of high humidity and low temperatures to expel accumulated moisture through the vent valve. Recommendations may vary based on specific installation circumstances.

NOTE: Not all features mentioned apply to all fixtures; these instructions may not be relevant to your specific model. For more information, please contact our support team.

Exterior Maintenance: Inspect the exterior every 30 days. Ensure the unit is powered off/disconnected. Examine the chassis for contaminants and clean optics and chassis as necessary. Schedule maintenance based on findings, considering the exterior’s exposure to the elements. Maintenance is crucial even when luminaires are not in use due to their exterior placement. Applying durable wax to the chassis is recommended to prevent contaminant buildup. Regularly inspect power and data lines for contaminants or corrosion, periodically reapplying dielectric grease, particularly in coastal settings. Clean thoroughly and/or replace connectors if corrosion/contaminants are present. Annual replacement of vent valves is preventive to ensure proper humidity venting. Also, inspect mounting hardware as a precaution.

Interior Maintenance: Inspect the interior every 30 days with the unit powered off/disconnected.

- Examine zoom/focus mechanisms, clean optics, and lubricate linear bearings (Krytox oil) as needed.
- Inspect belts for wear.
- Manually rotate all rotating effect wheels and note any resistance.
- Check remaining rotating belts for wear.
- Inspect and clean fans as required, checking rotation and connections
- Examine the CMY module, manually moving flags and checking for resistance
- Clean guide rods if needed and apply a thin layer of grease (moly lube).
- Clean the interior with low-volume compressed air and clean optics before reassembling head covers.

The pan belt should be inspected for wear, although the base has limited moving parts. Always conduct an IP test when removing any cover.

There is no specific timeframe for routine replacement of parts like belts, stepper motors, PCBs, or LEDs. Replace these items as needed, except for cooling fans, which should be replaced after 10,000 hours of operation as a preventive measure to ensure proper functioning of internal components. A comprehensive service breakdown is available; contact service@elationlighting.com for parts or manuals.

LIMITED WARRANTY (USA ONLY)

- A. Elation Professional hereby warrants, to the original purchaser, Elation Professional products to be free of manufacturing defects in material and workmanship for a period of two years (730 days), and Elation Professional product rechargeable batteries to be free of manufacturing defects in material and workmanship for a period of six months (180 days), from the original date of purchase. This warranty excludes discharge lamps and all product accessories. This warranty shall be valid only if the product is purchased within the United States of America, including possessions and territories. It is the owner's responsibility to establish the date and place of purchase by acceptable evidence, at the time service is sought.
- B. For warranty service, send the product only to the Elation Professional factory. All shipping charges must be pre-paid. If the requested repairs or service (including parts replacement) are within the terms of this warranty, Elation Professional will pay return shipping charges only to a designated point within the United States. If any product is sent, it must be shipped in its original package and packaging material. No accessories should be shipped with the product. If any accessories are shipped with the product, Elation Professional shall have no liability what so ever for loss and/or damage to any such accessories, nor for the safe return thereof.
- C. This warranty is void if the product serial number and/or labels are altered or removed; if the product is modified in any manner which Elation Professional concludes, after inspection, affects the reliability of the product; if the product has been repaired or serviced by anyone other than the Elation Professional factory unless prior written authorization was issued to purchaser by Elation Professional; if the product is damaged because not properly maintained as set forth in the product instructions, guidelines and/or user manual.
- D. This is not a service contract, and this warranty does not include any maintenance, cleaning or periodic check-up. During the periods as specified above, Elation Professional will replace defective parts at its expense, and will absorb all expenses for warranty service and repair labor by reason of defects in material or workmanship. The sole responsibility of Elation Professional under this warranty shall be limited to the repair of the product, or replacement thereof, including parts, at the sole discretion of Elation Professional. All products covered by this warranty were manufactured after January 1, 1990, and bare identifying marks to that effect.
- E. Elation Professional reserves the right to make changes in design and/or performance improvements upon its products without any obligation to include these changes in any products theretofore manufactured.
- F. No warranty, whether expressed or implied, is given or made with respect to any accessory supplied with the products described above. Except to the extent prohibited by applicable law, all implied warranties made by Elation Professional in connection with this product, including warranties of merchantability or fitness, are limited in duration to the warranty periods set forth above. And no warranties, whether expressed or implied, including warranties of merchantability or fitness, shall apply to this product after said periods have expired. The consumer's and/or dealer's sole remedy shall be such repair or replacement as is expressly provided above; and under no circumstances shall Elation Professional be liable for any loss and/or damage, direct and/or consequential, arising out of the use of, and/or the inability to use, this product.
- G. This warranty is the only written warranty applicable to Elation Professional products and supersedes all prior warranties and written descriptions of warranty terms and conditions heretofore published.

WARRANTY RETURNS

All returned service items whether under warranty or not, must be freight pre-paid and accompany a return authorization (R.A.) number. The R.A. number must be clearly written on the outside of the return package. A brief description of the problem as well as the R.A. number must also be written down on a piece of paper and included in the shipping container. If the unit is under warranty, you must provide a copy of your proof of purchase invoice. Items returned without a R.A. number clearly marked on the outside of the package will be refused and returned at customer's expense. You may obtain a R.A. number by contacting customer support.

SAFETY GUIDELINES

This fixture is a sophisticated piece of electronic equipment. To guarantee a smooth operation, it is important to follow all instructions and guidelines in this manual. Elation Professional is not responsible for injury and/or damages resulting from the misuse of this fixture due to the disregard of the information printed in this manual. Only qualified and/or certified personnel should perform installation of this fixture and only the original rigging parts (omega brackets) included with this fixture should be used for installation. Any modifications to the fixture and/or the included mounting hardware will void the original manufacturer's warranty and increase the risk of damage and/or personal injury.



PROTECTION CLASS 1 - FIXTURE MUST BE PROPERLY GROUNDED.



**THERE ARE NO USER SERVICEABLE PARTS INSIDE THIS UNIT.
DO NOT ATTEMPT ANY REPAIRS YOURSELF; DOING SO WILL VOID YOUR MANUFACTURER'S WARRANTY. DAMAGES RESULTING FROM MODIFICATIONS TO THIS FIXTURE AND/OR THE DISREGARD OF SAFETY INSTRUCTIONS AND GUIDELINES IN THIS MANUAL VOID THE MANUFACTURER'S WARRANTY AND ARE NOT SUBJECT TO ANY WARRANTY CLAIMS AND/OR REPAIRS.**



ENSURE ALL CONNECTIONS AND END CAPS ARE PROPERLY SEALED WITH A DIELECTRIC GREASE (AVAILABLE AT MOST ELECTRICAL SUPPLIERS) TO PREVENT WATER CORROSION AND/OR ELECTRICAL SHORT CIRCUIT.



**DO NOT PLUG FIXTURE INTO A DIMMER PACK!
NEVER OPEN THIS FIXTURE WHILE IN USE!
UNPLUG POWER BEFORE SERVICING FIXTURE!
NEVER TOUCH FIXTURE DURING OPERATION, AS IT MAY BE HOT!
KEEP FLAMMABLE MATERIALS AWAY FROM FIXTURE!**



**NEVER LOOK DIRECTLY INTO THE LIGHT SOURCE!
RETINA INJURY RISK - MAY INDUCE BLINDNESS!
SENSITIVE PERSONS MAY SUFFER AN EPILEPTIC SHOCK!**



**MINIMUM DISTANCE TO OBJECTS/SURFACES
MUST BE 9.84 FEET (3 METERS)
MAXIMUM TEMP OF EXTERNAL SURFACE 167° F (75°C)
MINIMUM DISTANCE OF INFLAMMABLE MATERIALS
FROM THE SURFACE 1.65 FEET (0.5 METER)**

SAFETY GUIDELINES



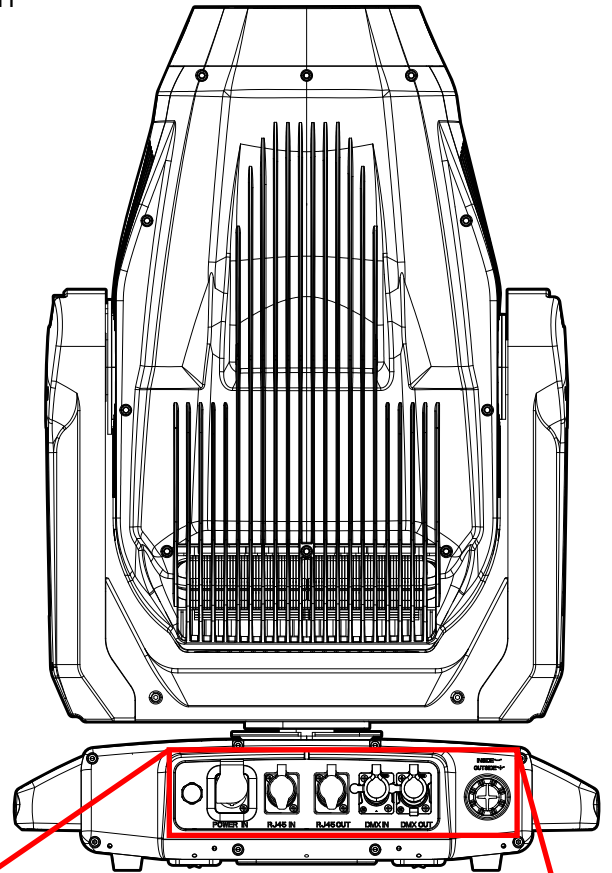
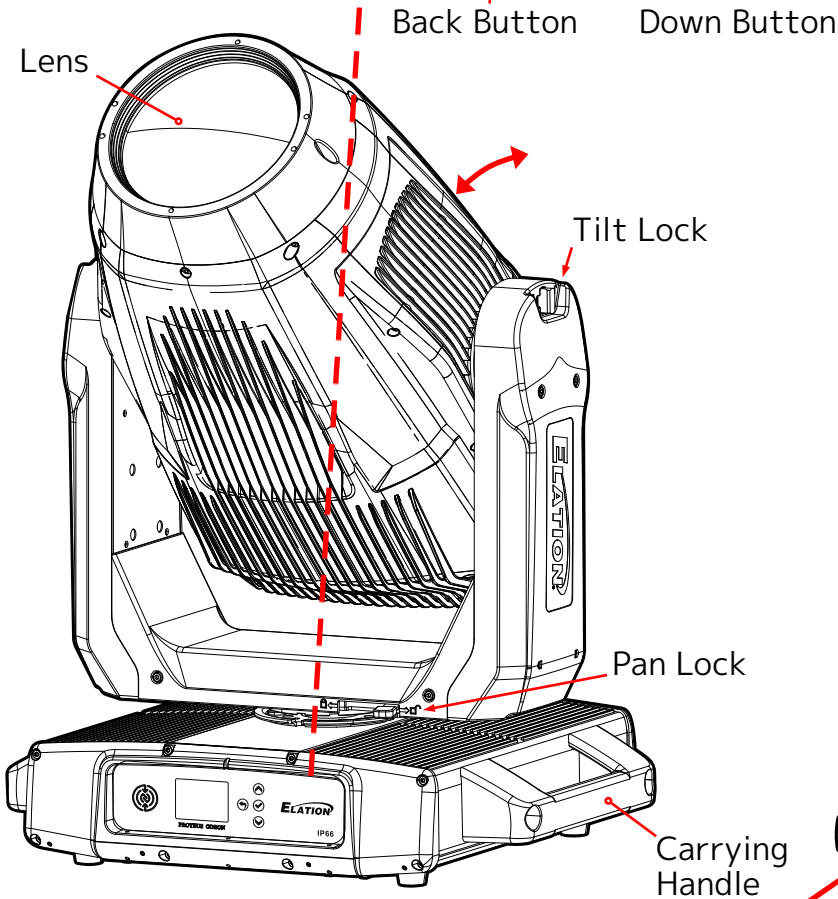
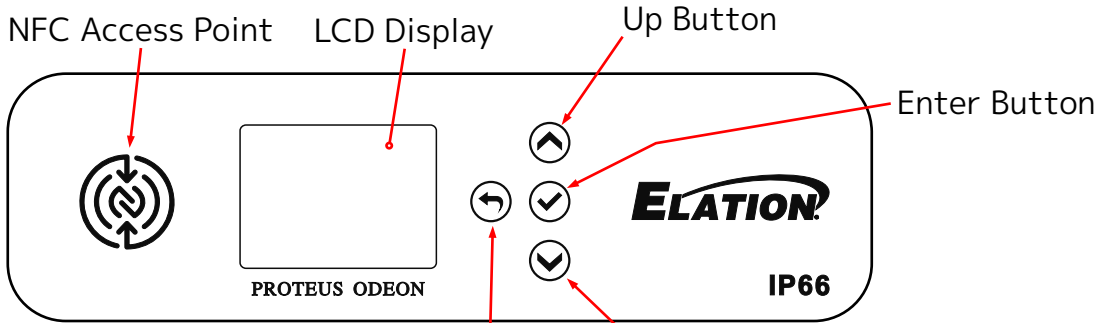
92.6 lbs. (42 kg)

WARNING

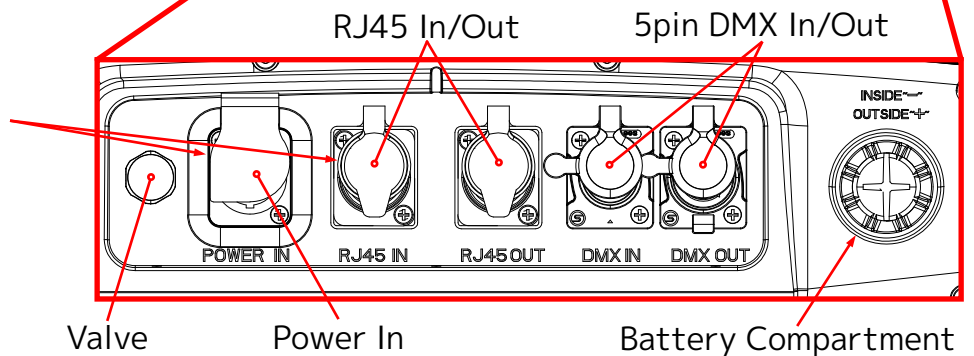
TWO PERSON LIFT REQUIRED

- **DO NOT TOUCH** the fixture housing during operation. Turn OFF the power and allow approximately 15 minutes for the fixture to cool down before serving.
- **DO NOT** shake fixture, avoid brute force when installing and/or operating fixture.
- **DO NOT** operate fixture if the power cord is frayed, crimped damaged and/or if any of the power cord connectors are damaged and do not insert into the fixture securely with ease.
- **NEVER** force a power cord connector into the fixture. If the power cord or any of its connectors are damaged, replace it immediately with a new one of similar power rating.
- **DO NOT** block any air ventilation slots.
- All fan and air inlets must remain clean and never blocked.
- Allow approx.6”(15cm) between fixture and other devices or a wall for proper cooling.
- Always disconnect fixture from main power source before performing any type of service and/or cleaning procedure. Only handle the power cord by the plug end, never pull out the plug by tugging the wire portion of the cord.
- During the initial operation of this fixture, a light smoke or smell may emit from the interior of the fixture. This is a normal process and is caused by excess paint in the interior of the casing burning off from the heat associated with the lamp and will decrease gradually over time.
- Consistent operational breaks will ensure the fixture will function properly for many years.
- **ONLY** use the original packaging and materials to transport the fixture in for service.

OVERVIEW

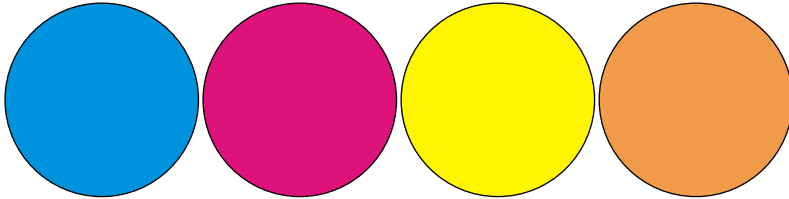


TO MAINTAIN THE IP66 RATING INTEGRITY OF THE FIXTURE AND PREVENT WATER FROM ENTERING THE FIXTURE, SEAL ALL UNUSED CONNECTION RUBBER CAPS.



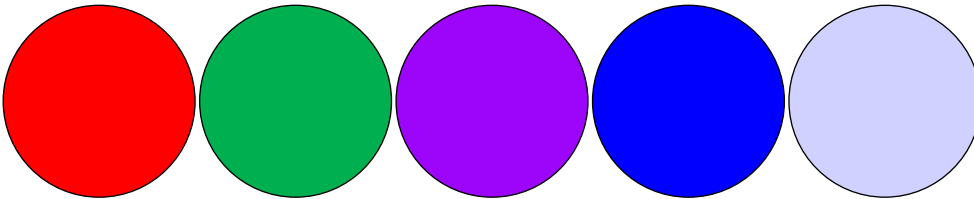
COLORS AND GOBOS

COLOR FLAGS



CYAN MAGENTA YELLOW C.T.O.

COLOR WHEEL



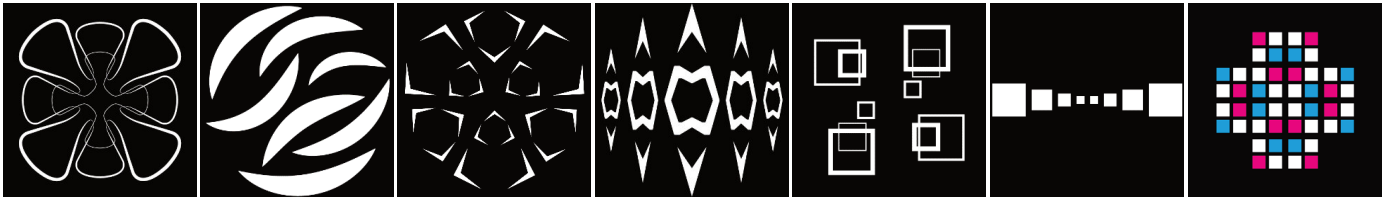
RED GREEN PURPLE BLUE CTB

INTERCHANGEABLE – ROTATING GLASS GOBO WHEEL 1



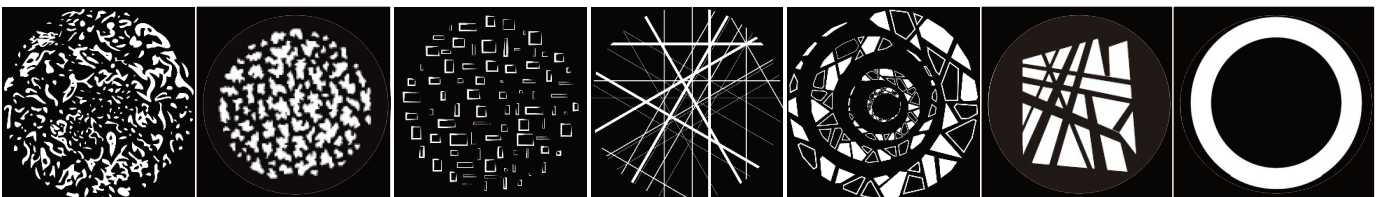
Pos. 1 Pos. 2 Pos. 3 Pos. 4 Pos. 5 Pos. 6

INTERCHANGEABLE – ROTATING GLASS GOBO WHEEL



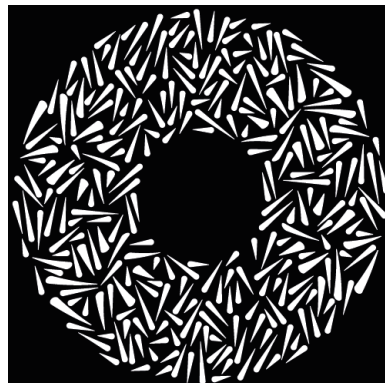
Pos. 1 Pos. 2 Pos. 3 Pos. 4 Pos. 5 Pos. 6 Pos. 7

INTERCHANGEABLE STATIC – FIXED GLASS GOBO WHEEL



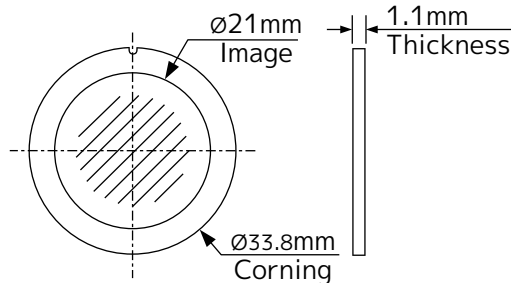
Pos. 1 Pos. 2 Pos. 3 Pos. 4 Pos. 5 Pos. 6 Pos. 7

BI-DIRECTIONAL ANIMATION WHEEL



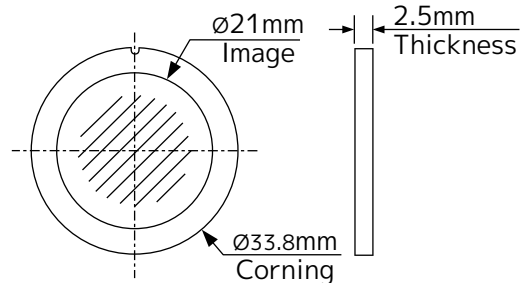
CUSTOM GOBOS

ROTATING GOBO WHEEL1 GOBOS - Pos. 1-5:	
Gobo Holder Diameter	Ø34mm
Gobo O.D. (Max. Outer Diameter)	Ø33.8mm
Gobo I.D. (Max. Image Diameter)	Ø21mm
Gobo Thickness	1.1mm±0.1mm
Gobo Material	CORNING

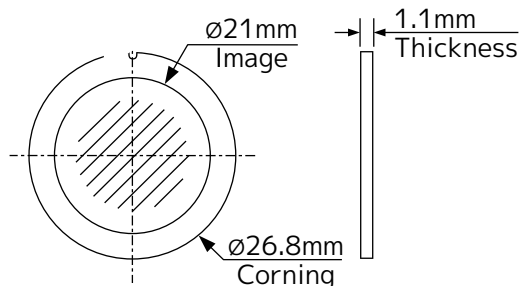


Pos. 1 - Pos. 5

ROTATING GOBO WHEEL1 GOBOS - Pos. 6:	
Gobo Holder Diameter	Ø34mm
Gobo O.D. (Max. Outer Diameter)	Ø33.8mm
Gobo I.D. (Max. Image Diameter)	Ø21mm
Gobo Thickness	2.5mm±0.1mm
Gobo Material	CORNING

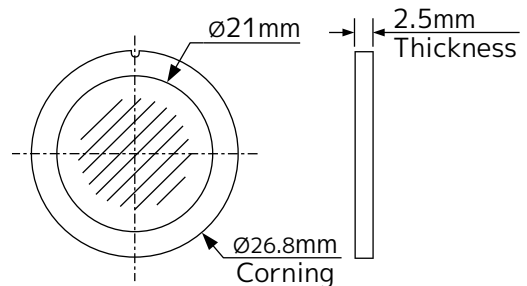


ROTATING GOBO WHEEL GOBOS - Pos. 1-6:	
Gobo Holder Diameter	Ø27mm
Gobo O.D. (Max. Outer Diameter)	Ø26.8mm
Gobo I.D. (Max. Image Diameter)	Ø21mm
Gobo Thickness	1.1mm±0.1mm
Gobo Material	CORNING



Pos. 1 - Pos. 6

ROTATING GOBO WHEEL GOBOS - Pos. 7:	
Gobo Holder Diameter	Ø27mm
Gobo O.D. (Max. Outer Diameter)	Ø26.8mm
Gobo I.D. (Max. Image Diameter)	Ø21mm
Gobo Thickness	2.5mm±0.1mm
Gobo Material	BOROFLOAT



Pos. 7

Please be aware of the intended position and correct sizing requirements of custom gobos.

***** IMPORTANT NOTICE REGARDING CUSTOM GOBOS *****

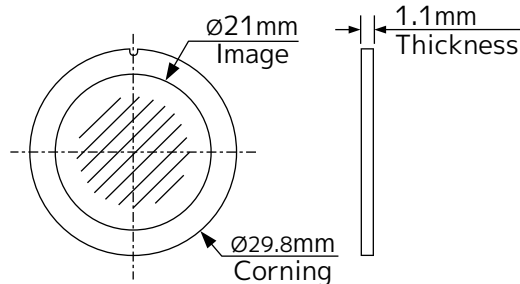
Due to the high temperature optical system, special glass material is required for custom gobos. Due to varying manufacturing processes and tolerances, it is highly recommended to provide a gobo sample and holder from the fixture to the custom gobo vendor for accurate sizing. Extended testing of custom gobo designs is highly recommended prior to use. Contact ELATION SERVICE for further information.

ELATION SERVICE USA -Monday -Friday 8:00am to 4:30pm PST
323-582-3322 | Fax 323-832-9142 | support@elationlighting.com

ELATION SERVICE EUROPE -Monday -Friday 08:30 to 17:00 CET
+31 45 546 85 63 | Fax +31 45 54685 96 | support@elationlighting.eu

COLORS AND GOBOS - CUSTOM GOBOS

FIXED GOBO WHEEL GOBOS:	
Gobo Holder Diameter	Ø30mm
Gobo O.D. (Max. Outer Diameter)	Ø29.8mm
Gobo I.D. (Max. Image Diameter)	Ø21mm
Gobo Thickness	1.1mm±0.1mm
Gobo Material	CORNING



Please be aware of the intended position and correct sizing requirements of custom gobos.

***** IMPORTANT NOTICE REGARDING CUSTOM GOBOS *****

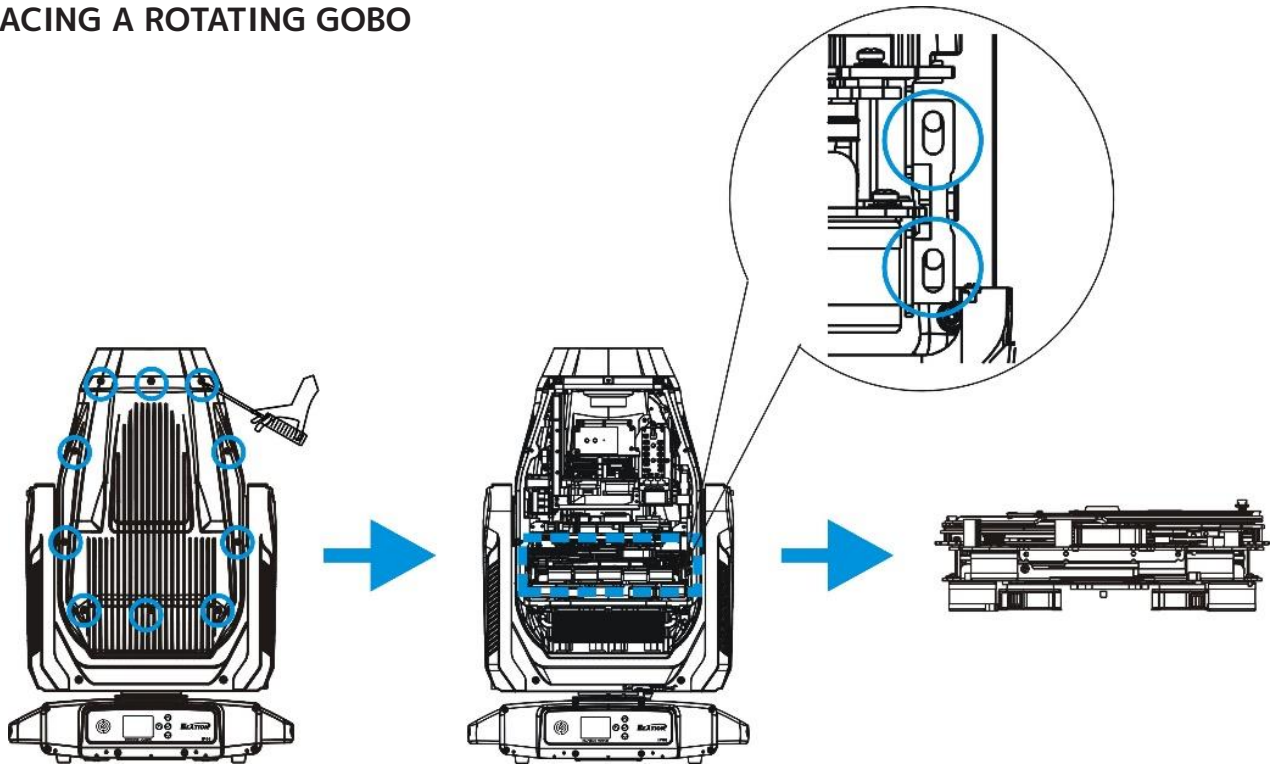
Due to the high temperature optical system, special glass material is required for custom gobos. Due to varying manufacturing processes and tolerances, it is highly recommended to provide a gobo sample and holder from the fixture to the custom gobo vendor for accurate sizing. Extended testing of custom gobo designs is highly recommended prior to use. Contact ELATION SERVICE for further information.

ELATION SERVICE USA -Monday -Friday 8:00am to 4:30pm PST
323-582-3322 | Fax 323-832-9142 | support@elationlighting.com

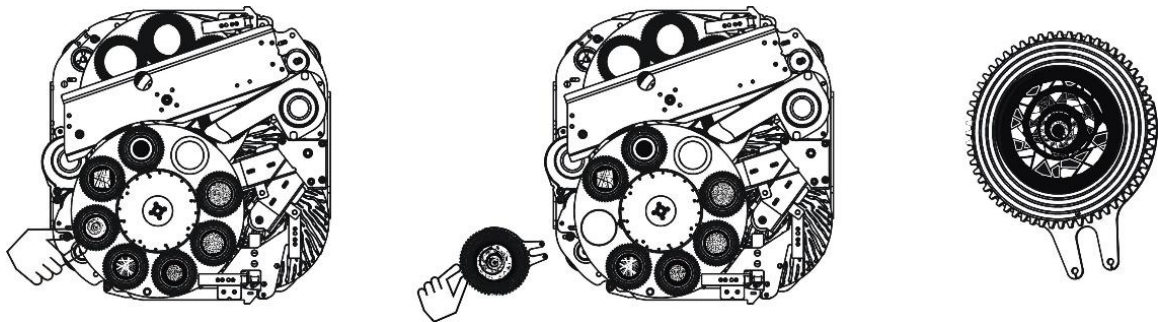
ELATION SERVICE EUROPE -Monday -Friday 08:30 to 17:00 CET
+31 45 546 85 63 | Fax +31 45 54685 96 | support@elationlighting.eu

GOBO INSTALLATION

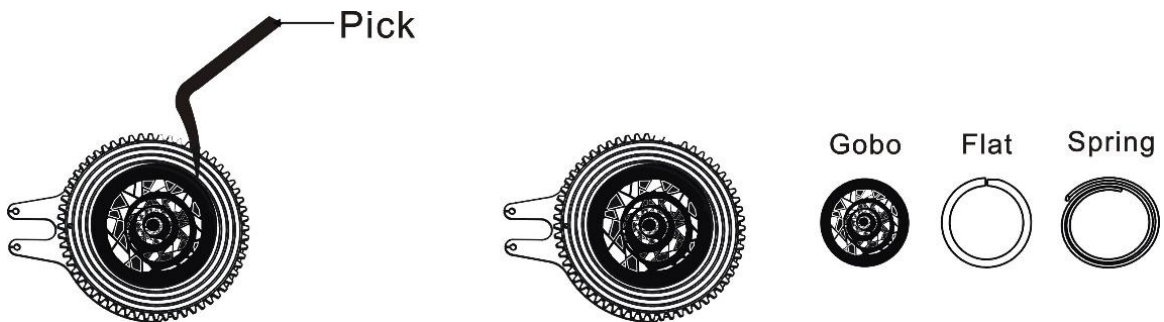
REPLACING A ROTATING GOBO



Place the fixture on a firm flat surface. Locate the (10x) screws on the side of the moving head and remove them. With the panel set aside, locate the Pattern Bracket Assembly and remove the (4x) screws that secure it to the internal housing frame.



Locate the specific Rotating Gobo to replace. Carefully grip the Gobo using your thumb and index finger, gently lift it slightly, and then pull it out and away until it fully clears the Gobo Wheel.



Locate the tab of the spring, and with a precision pick (or similar tool), carefully press the retaining spring inward to relieve the tension. Remove the retaining spring and carefully separate the GOBO from the GOBO Holder. Lastly, remove the flat washer attached to the removed GOBO and attach it to the desired replacement GOBO. Install the replacement Rotating GOBO following the steps above in reverse order.

CAUTION: TAKE CARE NOT TO SCRATCH GOBO OR GOBO HOLDER

TORQUE SETTINGS FOR SCREWS



SCREWS MUST BE TIGHTENED WITH A TORQUE WRENCH ACCORDING TO THE TORQUE SPECIFICATION DESCRIBED BELOW.

The hex-head screws holding the panels **MUST** be tightened with a torque wrench (Torque Wrench Not Included).

TORQUE SETTING = 11 lbf-in. (12.7kgf-cm)

* lbf-in = Pound Force Inches

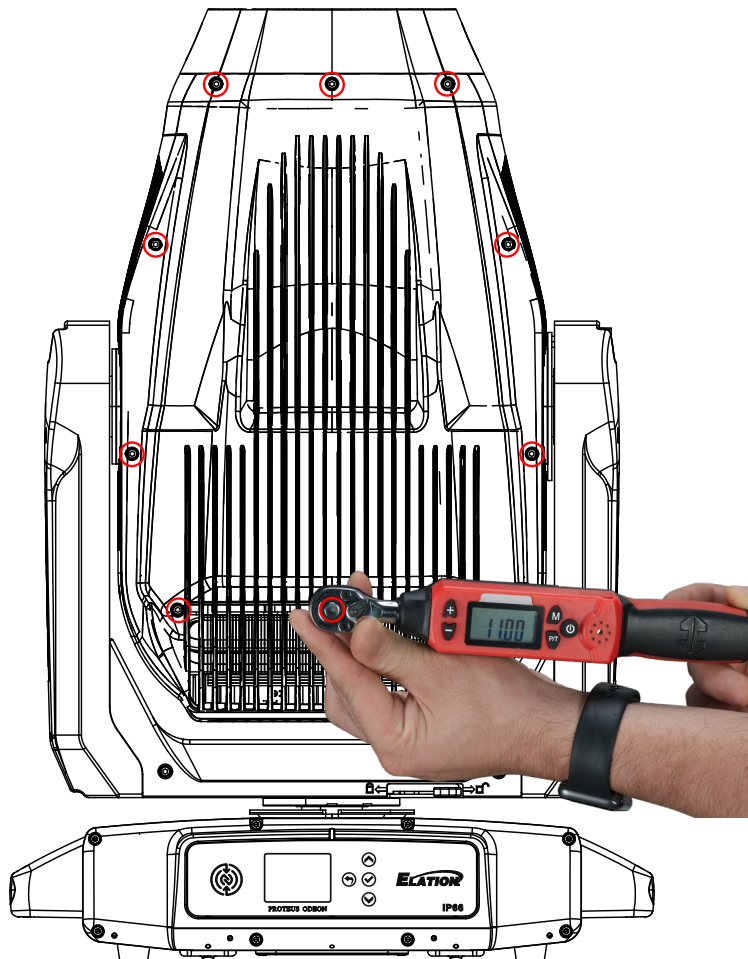
kgf-cm = Kilogram Force Centimeters



CAUTION! DO NOT OVER TORQUE SCREWS AS THIS CAN CAUSE LEAKAGE ISSUES! TO CONFIRM THE IP66 INTEGRITY AFTER A PROCEDURE REQUIRING DISASSEMBLY/REASSEMBLY, TEST THE FIXTURE USING THE IP TESTER. CONTACT ELATION SERVICE FOR MORE DETAILS.



CAUTION! THE USE OF PROTECTIVE GLOVES AND SAFETY GOGGLES IS STRONGLY RECOMMENDED WHILE PERFORMING THE IP PRESSURE TEST! AVOID PLACING YOUR FACE, EYES, HANDS, ETC IN CLOSE PROXIMITY TO THE FIXTURE'S LENS WHILE PERFORMING THE TEST!



CAUTION! DO NOT OVER TORQUE SCREWS AS THIS CAN CAUSE LEAKAGE ISSUES! TO CONFIRM THE IP65 INTEGRITY, TEST FIXTURE USING THE ELATION IP TESTER. CONTACT ELATION SERVICE FOR MORE DETAILS.

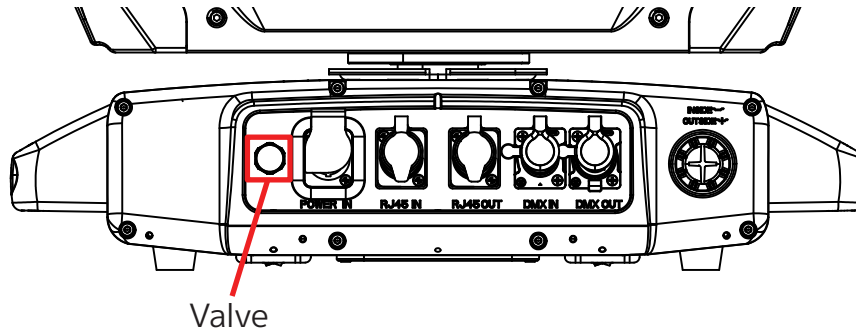
IP TEST PARAMETERS

Following any repair or maintenance procedure that requires disassembly of the fixture, use Elation's IP Tester to confirm the IP integrity of the fixture. The air valve is located on the back panel next to the display screen, as shown in the diagram below. Please contact Elation Service for information regarding the Elation IP Tester, or visit the product information page online at: <https://www.elationlighting.com/ip-tester>



CAUTION! THE USE OF PROTECTIVE GLOVES AND SAFETY GOGGLES IS STRONGLY RECOMMENDED WHILE PERFORMING THE IP PRESSURE TEST! AVOID PLACING YOUR FACE, EYES, HANDS, ETC IN PROXIMITY TO THE LENS OF THE FIXTURE WHILE PERFORMING THE TEST!

DE-HUMIDIFICATION: IP66 fixtures operating in high-humidity environments may experience residual fogging or condensation. Such fogging will not affect the fixture, and can be removed using the following procedure: position the unit with the air valve pointing upwards, then open the air valve and run the unit for 1-2 hours after reaching operating temperature. Then, while the fixture is still hot, re-install the air valve and allow the unit to cool down. Please note: this procedure should be performed in a dry, climate-controlled environment. Avoid additional fogging by drying the fixture completely before placing into a road case.



IP PRESSURE TESTING PARAMETERS			
Test Type	Low Pressure Limit	High Pressure Limit	Hold Time
Vacuum Test	-4.35psi (-30.00 KPa)	-5.08psi (-35.00 KPa)	10s
Pressure Test	3.62psi (25.00 KPa)	4.35psi (30.00 KPa)	10s



INSTALLATION GUIDELINES



FLAMMABLE MATERIAL WARNING

Keep fixture minimum 9.84feet (3m) away from flammable materials and/or pyrotechnics.



ELECTRICAL CONNECTIONS

A qualified electrician should be used for all electrical connections and/or installations.



MINIMUM DISTANCE TO OBJECTS/SURFACES MUST BE 9.8 FEET (3 METERS)



MINIMUM DISTANCE OF INFLAMMABLE MATERIALS FROM THE SURFACE 1.64 FEET (0.5 METERS)



DO NOT INSTALL THE FIXTURE IF YOU ARE NOT QUALIFIED TO DO SO!

Fixture **MUST** be installed following all local, national, and country commercial electrical and construction codes and regulations.

Before rigging/mounting the fixture to any metal truss/structure or placing the fixture on any surface, a professional equipment installer **MUST** be consulted to determine if the metal truss/structure or surface is properly certified to safely hold the combined weight of the fixture, clamps, cables, and accessories.

Overhead rigging requires extensive experience, including, amongst others, calculating working load limits, installation material being used, and periodic safety inspection of all installation material and the fixture. If you lack these qualifications, do not attempt the installation yourself. Improper installation can result in bodily injury.

Fixture ambient operating temperature range is **-4° to 113°F. (-20° to 45°C)**

Do not use the fixture under or above this temperature.

Fixture should be installed in areas outside walking paths, seating areas, or away from areas where unauthorized personnel might reach the fixture by hand.

NEVER stand directly below the fixture when rigging, removing or servicing.

Overhead fixture installation must always be secured with a secondary safety attachment, such as an appropriately rated safety cable.

Allow approximately 10 minutes for the fixture to cool down before servicing.

INSTALLATION GUIDELINES

OMEGA BRACKET WITH CLAMP INSTALLATION

When mounting the fixture to a truss, be sure to secure appropriately rated professional grade rigging clamps to the included Omega Brackets using an M10 or M12 screw fitted through the center hole of the Omega Brackets. **This fixture requires the installation of two Omega brackets and two clamps for secure truss mounting.**

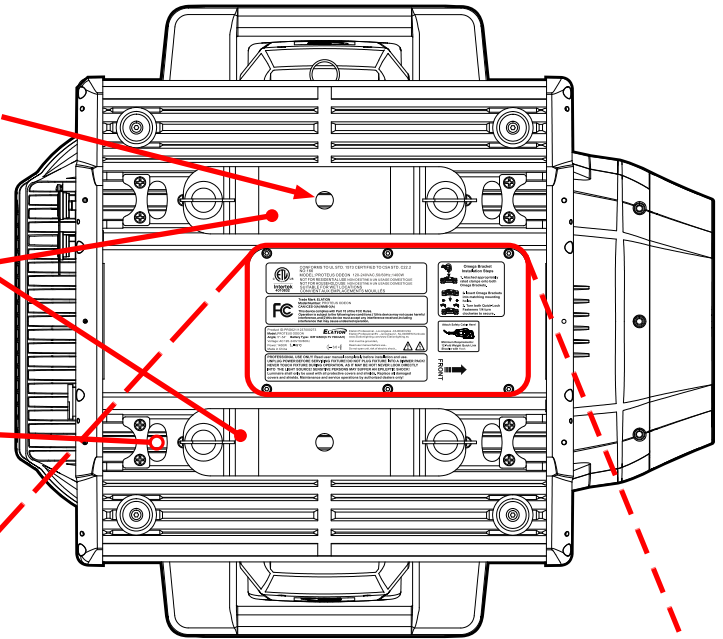



ALWAYS ATTACH A SAFETY CABLE WHENEVER INSTALLING THIS FIXTURE IN A SUSPENDED ENVIRONMENT TO ENSURE THAT THE FIXTURE WILL NOT FALL IF THE CLAMP FAILS.

Mount Truss Clamp to Omega Bracket with M10 or M12 screw fitted through the center hole of Omega Bracket.


Omega Brackets

The fixture also provides a built-in attachment point for a **SAFETY CABLE**. Be sure to only use the designated attachment point for the safety cable and never secure a safety cable to a carrying handle.


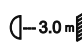





CONFORMS TO UL STD. 1573 CERTIFIED TO CSA STD. C22.2 NO:166
MODEL: PROTEUS ODEON 120-240VAC,50/60Hz;1400W
 NOT FOR RESIDENTIAL USE NON DESTINÉ À UN USAGE DOMESTIQUE
 NOT FOR HOUSEHOLD USE NON DESTINÉ À UN USAGE DOMESTIQUE
 SUITABLE FOR WET LOCATIONS
 CONVIENT AUX EMPLACEMENTS MOUILLÉS




Trade Mark: ELATION
 Model Number: PROTEUS ODEON
 CAN ICES-3(A)/NMB-3(A)
 This device complies with Part 15 of the FCC Rules.
 Operation is subject to the following two conditions: (1) this device may not cause harmful interference, and (2) this device must accept any interference received, including interference that may cause undesired operation.

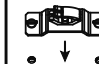
Product ID: PRO621/1237000273  Elation Professional - Los Angeles - CA 90040 USA
 Model: PROTEUS ODEON Elation Professional BV - Junostraat 2 - NL-6468EW Kerkrade
 Angle: 5°~54° Battery Type: ICR14500(3.7V 700mAh) www.Elationlighting.com/www.Elationlighting.eu
 Voltage: AC 120-240V 50/60Hz Unit must be grounded.
 Power: 1400W $t_a=45^{\circ}\text{C}$  Read user manual before use.
 Made in China Do not open unit, risk of electric shock. 

PROFESSIONAL USE ONLY! Read user manual completely before installation and use.
UNPLUG POWER BEFORE SERVICING FIXTURE! DO NOT PLUG FIXTURE INTO A DIMMER PACK!
NEVER TOUCH FIXTURE DURING OPERATION, AS IT MAY BE HOT! NEVER LOOK DIRECTLY INTO THE LIGHT SOURCE! SENSITIVE PERSONS MAY SUFFER AN EPILEPTIC SHOCK!
 Luminaire shall only be used with all protective covers and shields. Replace all damaged covers and shields. Maintenance and service operations by authorized dealers only!

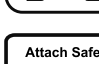
Omega Bracket Installation Steps



1. Attached appropriately rated clamps onto both Omega Brackets.

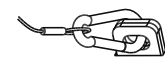


2. Insert Omega Brackets into matching mounting holes.




3. Turn both Quick-Lock Fasteners 1/4 turn clockwise to secure.

Attach Safety Cable Here!



Minimum Requirements:
 12-Fold Weight Quick Link Shackle with Hook

FRONT 

MOUNTING THE FIXTURE ON A TRUSS USING CLAMPS

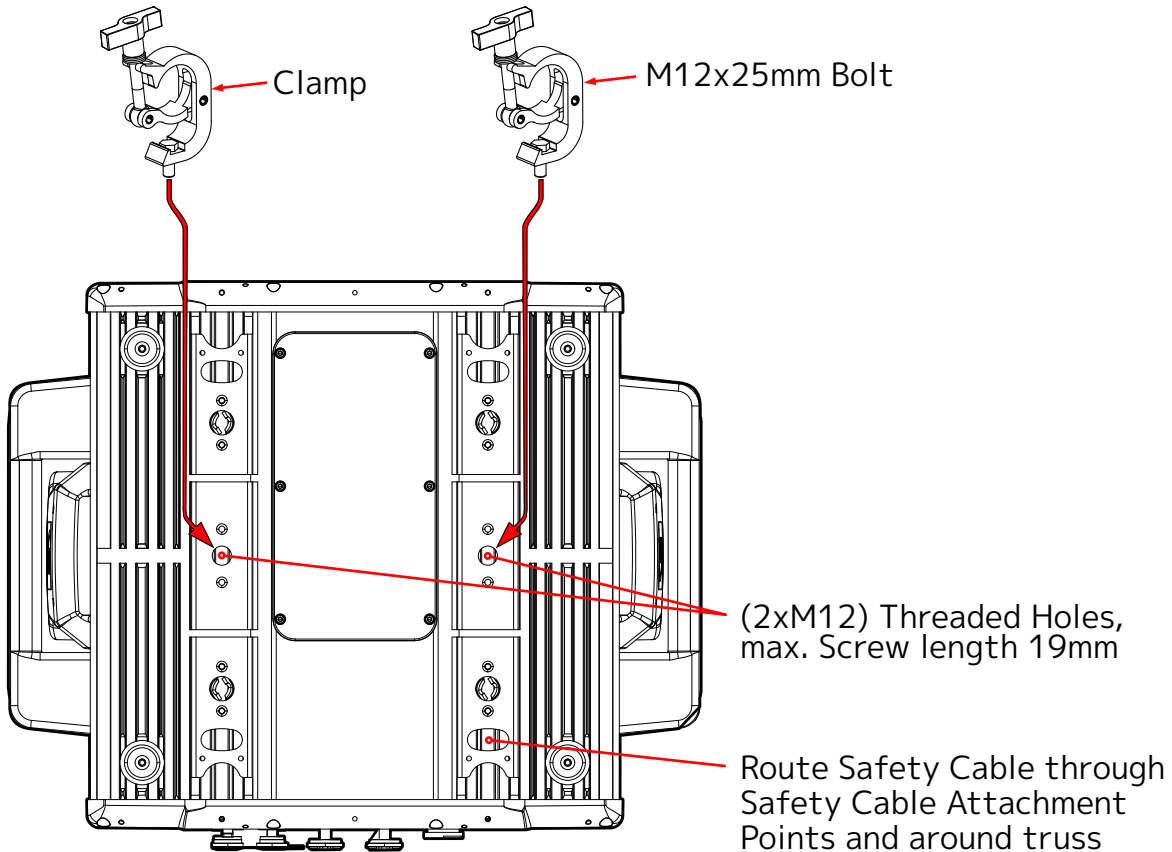
When mounting the fixture to a truss, be sure to secure an appropriately rated professional grade rigging clamp to the bottom of the fixture using (2x) minimum grade 8.8 steel (2x) M12x25mm bolts fitted through the mounting hole of the Clamp. The fixture provides built-in rigging points for a SAFETY CABLE (not included). Be sure to only use one of the designated rigging points for the safety cable and never secure a safety cable to a carrying handle.

17

INSTALLATION GUIDELINES

CLAMP INSTALLATION

Insert (2x) minimum grade 8.8 steel M12x25mm bolts (not included) through the respective mounting hole of the clamp (not included), and then thread it into the matching 12M holes on the bottom of the fixture base. Both bolts must be threaded at least 18mm (0.7ins) into the fixture base.



ALWAYS ATTACH A SAFETY CABLE WHENEVER INSTALLING THIS FIXTURE IN A SUSPENDED ENVIRONMENT TO ENSURE THAT THE FIXTURE WILL NOT FALL IF THE CLAMP FAILS.

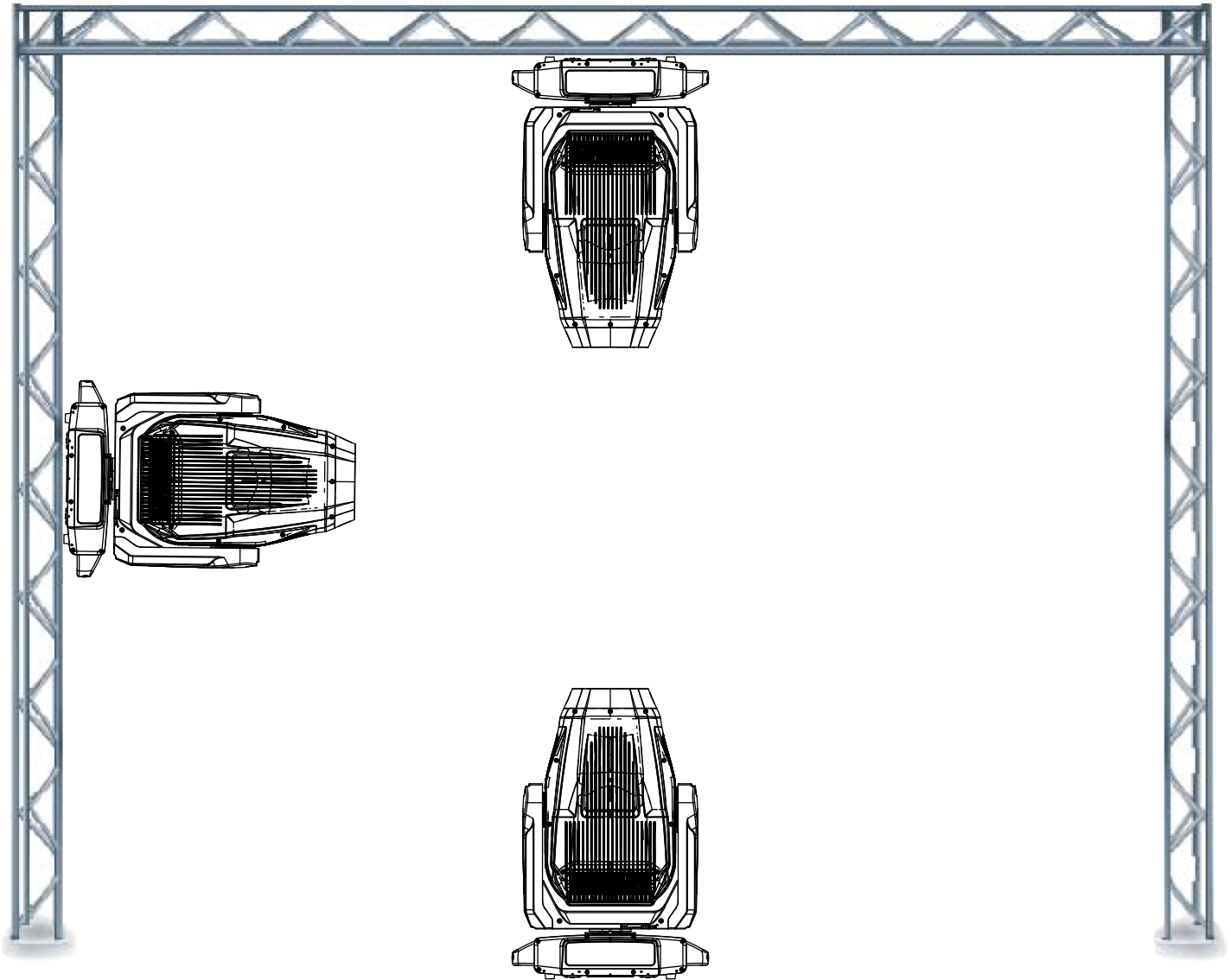
MOUNTING THE FIXTURE ON A TRUSS USING CLAMPS

When mounting the fixture to a truss, be sure to secure an appropriately rated professional grade rigging clamp to the bottom of the fixture using (2x) minimum grade 8.8 steel (2x) M12x25mm bolts fitted through the mounting hole of the Clamp. The fixture provides built-in rigging points for a SAFETY CABLE (not included). Be sure to only use one of the designated rigging points for the safety cable and never secure a safety cable to a carrying handle.

INSTALLATION GUIDELINES

RIGGING

Overhead rigging requires extensive experience, including amongst others calculating working load limits, installation material being used, and periodic safety inspection of all installation material and the fixture. If you lack these qualifications, do not attempt the installation yourself. Improper installation can result in bodily injury. Fixture is fully operational in the specific mounting positions illustrated below.



FALLING FIXTURES CAN CAUSE SEVERE INJURY OR SERIOUS EQUIPMENT DAMAGE! FOR THIS REASON, FIXTURES SHOULD BE INSTALLED AND INSPECTED ONLY BY QUALIFIED PERSONNEL. DO NOT INSTALL THE UNIT IF YOU LACK THE QUALIFICATIONS TO DO SO, OR IF YOU HAVE DOUBTS ABOUT THE SAFETY AND SECURITY OF THE INSTALLATION SETUP OR LOCATION!



ALWAYS ATTACH A SAFETY CABLE WHENEVER INSTALLING THIS FIXTURE IN A SUSPENDED ENVIRONMENT TO ENSURE THE FIXTURE WILL NOT FALL IF THE CLAMP FAILS.

INSTALLATION GUIDELINES

ART-NET | sACN CONNECTION

When connecting fixture to a network switch to control multiple devices, a Gigabit Ethernet Switch that supports IGMP (Internet Group Management Protocol) is required. Using a Gigabit Ethernet Switch that does not support IGMP can cause erratic behavior of all connected devices to the switch. Click link below for more information about IGMP.

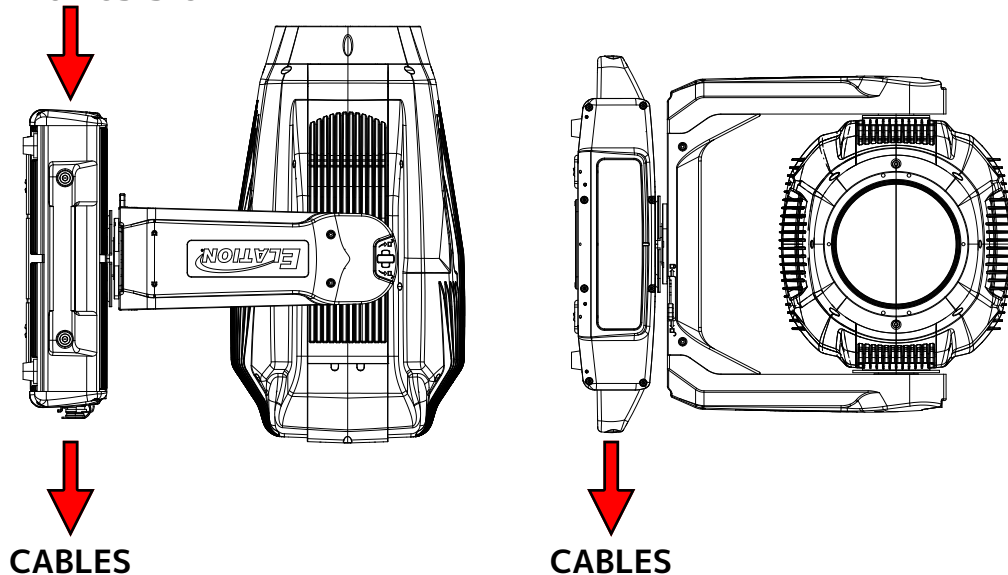
https://en.wikipedia.org/wiki/Internet_Group_Management_Protocol

POWER AND DATA CABLES



TO MAINTAIN THE IP66 RATING INTEGRITY OF THE FIXTURE, ALL CABLES MUST BE RUN TOWARDS THE GROUND TO PREVENT WATER ACCUMULATION AROUND THE CONNECTIONS.

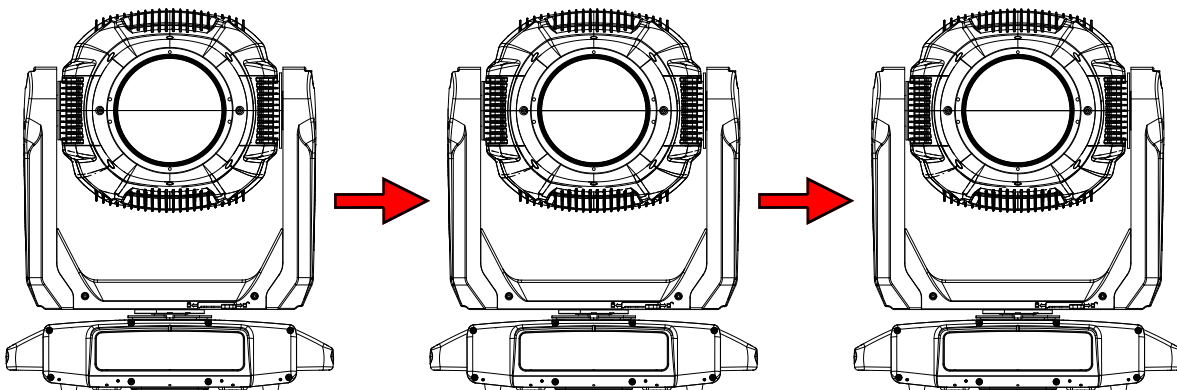
SYSTEM MENU LCD DISPLAY



RJ45 DATA CABLES



THE INCLUDED RJ45 DATA CABLE IS FOR FIXTURE TO FIXTURE INTERCONNECTIONS ONLY! THE RJ45 CABLE CONNECTORS MAY NOT BE COMPATIBLE WITH OTHER RJ45 OR ETHERNET TYPE CONNECTORS.



INSTALLATION GUIDELINES

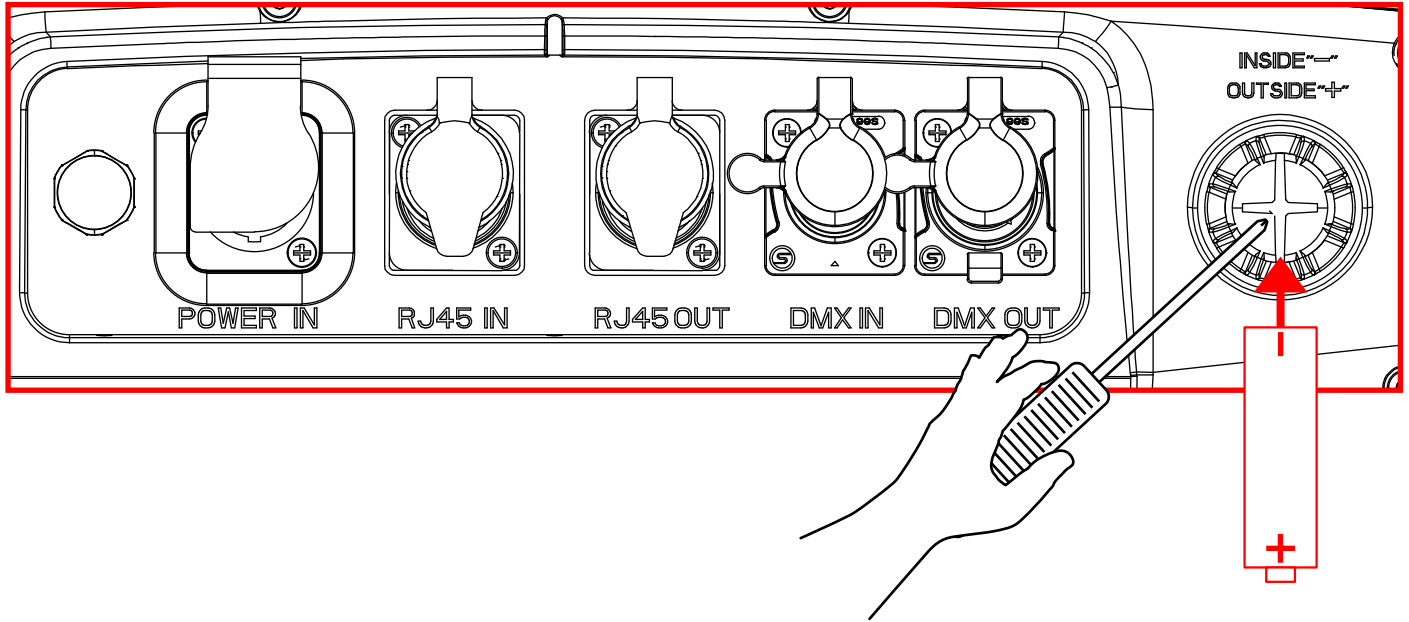
POWER AND DATA CABLES



ENSURE ALL CONNECTIONS AND END-CAPS ARE PROPERLY SEALED WITH DIELECTRIC GREASE (AVAILABLE AT MOST ELECTRICAL SUPPLIERS) TO PREVENT WATER CORROSION AND/OR ELECTRICAL SHORT CIRCUIT.



TO MAINTAIN THE IP66 RATING INTEGRITY OF THE FIXTURE AND PREVENT WATER FROM ENTERING THE FIXTURE, SEAL ALL UNUSED CONNECTION RUBBER CAPS.



BATTERY REPLACEMENT



Installing the battery incorrectly, in the wrong orientation, where the Plus (+) is inside and Negative (-) is outside, will lead to internal electronics and battery damage. A qualified electrician should be used for all electrical connections and/or installations.

1. Loosen the screw cap for the battery compartment.
2. Remove old battery and replace (**inside "-"**, and **outside "+"**).

NOTE: Replace the battery only with an Li-ion battery (IRC14500/700mAh), which can be ordered from the Elation Parts Website <https://parts.elationlighting.com>. Replace and tighten screw cap for the battery compartment.

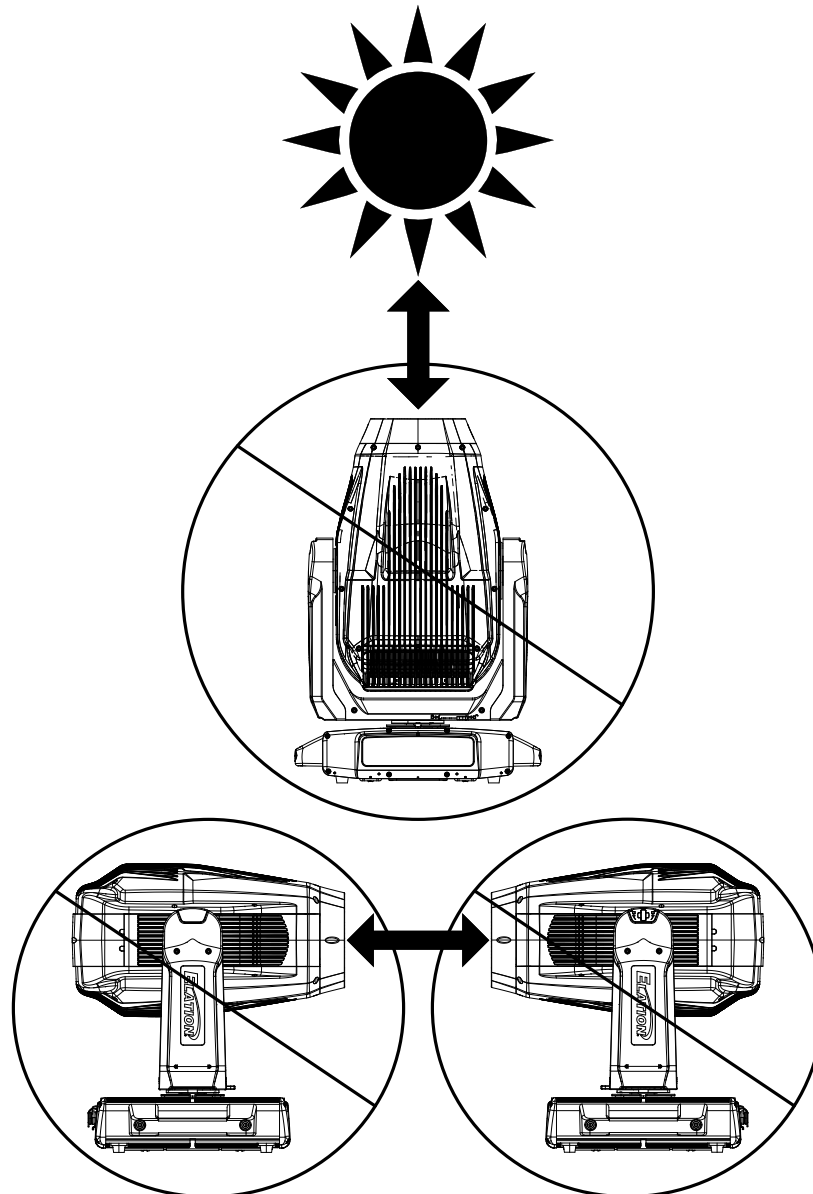
INSTALLATION GUIDELINES

POTENTIAL INTERNAL FIXTURE DAMAGE FROM EXTERNAL SOURCES OF LIGHT BEAMS

External sources of light beams from direct sunlight, lighting and moving head fixtures, and lasers, which are focused directly towards the exterior housing and/or penetrate the front lens opening of Elation lighting fixtures, can cause severe internal damage including burning of optics, dichroic color filters, glass and metal gobos, prisms, animation wheels, frost filters, iris, shutters, motors, belts, wiring, discharge lamps, and LEDs.

This issue is not specific only to Elation lighting fixtures, but rather it is a common issue with lighting fixtures from all manufacturers. Although there is no true way to fully prevent this issue from happening, the guidelines below can reduce the risk of potential damage. Contact Elation Service for more details.

DO NOT EXPOSE THE FIXTURE AND/OR FRONT LENS OPENING TO LIGHT BEAMS FROM DIRECT SUNLIGHT, OTHER LIGHTING OR MOVING HEAD FIXTURES, AND LASERS DURING UNPACKING, INSTALLATION, USE, AND EXTENDED IDLE TIMES OUTDOORS. DO NOT FOCUS A LIGHT BEAM FROM ONE LIGHTING FIXTURE DIRECTLY TOWARDS ANOTHER.



SUN PROTECTION MODE

The fixture incorporates an automatic protection from harmful sunlight, which can damage a fixture's internal components from extended exposure. Fixtures use an internal sensor to determine their physical orientation, then reorient the fixture towards the ground to prevent sunlight from entering the lens.

This automatic feature only works when the fixture is powered. If the fixture is unpowered during setup, it is necessary to manually reorient the lenses away from the sun, and aim them towards the ground. Even a few minutes of sun exposure can cause damage inside the fixture.

The Sun Protection setting is accessed via the "No DMX Status" menu.

The automatic sun protection positioning is activated under the following conditions:

1. Power on without DMX signal: the fixture always starts in sun protection mode.
2. No DMX Status "Sun Protection": the fixture enters sun protection mode after approximately 3 minutes.
3. Remote DMX control: the sun protection position can be **temporarily** activated from the lighting console without the need to create a custom position preset. The fixture senses the correct ground orientation. This means that fixtures already facing the ground may not move their heads.

Hold "Sun Protect Position" for 3s to set the fixture to the sun protection position.

Sun protection status displays as "**Sun Protection: Active**".

The sun protection position deactivates under the following conditions:

1. Connect DMX signal.
2. Remote DMX control: Hold "Sun Protection Off" for 3s.

To avoid harsh or jarring movements, the sun protection position always uses a 5-second fade time when it is activated or deactivated.

HIBERNATION MODE

To reduce wear on the fixture and its components, this mode disables motors and most electronics. Set the hibernation mode countdown time in the Display Menu: "Status Settings / Personality / Hibernation". Hibernation can be fully disabled.

The hibernation mode activates under the following conditions:

1. Loss of DMX: the fixture enters hibernation after the timeout expires. Default is 15 minutes.
2. Remote DMX control: Hold "Hibernate Fixture" for 3s

The hibernation mode deactivates under the following conditions:

1. Connect DMX Signal
2. Remote DMX control: Hold "Hibernate Off" for 3s

The fixture will perform a full calibration cycle, then assume the current DMX status.

Please note that the Hibernation does not change the PT position of the fixtures, allowing the user to set the desired position and then issue the Hibernate command.

To ensure the fixture is protected from harmful sunrays it is recommended to either leave the "No DMX Status" in "Sun Protection" (so the fixture is already in the correct position after 3 minutes of DMX loss) or set the fixture to a safe Tilt position manually first before hibernation.

Burn and heat damage to the fixture's interior components due to external light sources (sun or other fixtures shining into the lens) is never covered under the manufacturers warranty.

FAN MODES and LOW NOISE OPERATION

The Proteus Odeon is a high-performance fixture suited for multiple applications. For noise critical environments such as Theater, Opera or Orchestra Halls, it offers various fan operation modes which remove any distraction for the audience and performers. Fan Modes can be changed remotely via the DMX control channel, allowing the fixture to offer high output or whisper silent operation at a moment's notice. All Fan Modes smoothly transition over a brief time, preventing unwanted attraction to the fixture.

Auto (Default)—Fans only run at the speeds needed to keep the LED engine within a safe temperature range and ensures optimal performance of the fixture. If possible, they will turn-off, for example, when the fixture is dimmed to a low intensity. Fans sense the ambient and fixture temperature, and will always try to keep noise levels to a minimum. The fixture output will only reduce when the LED engine cannot be cooled down to its safe operating range due to high ambient temperature.

NOTE: Recommended for daily operation.

High—Fan speeds are increased throughout for the most efficient cooling of the fixture. This mode will increase wear on the fans and should only be utilized in exceptional circumstances. Fans will always run, even if the fixture is dimmed down. Fixture output is kept at 100% unless the LED engine temperature reaches an unsafe temperature at which point the fixture will reduce power carefully to ensure continued safe operation. This mode is only required in very high ambient temperatures when automatic fan speed adjustments are not desired.

Low Noise Modes

For very critical noise environments, the fixture offers two additional Low Noise Modes for silent operation. The fixture output will be reduced, yet due to the extremely high luminous flux, the fixture still offers outstanding performance. In Low Noise Modes, all parameters of the fixture operate more quietly with reduced fan speeds.

Low/Studio - 75-80% max output, fans run at low speed.

Mute - All but one fixture fan is turned off for whisper-quiet operation. The fixture LED power output is reduced to 25%.

SYSTEM MENU

The fixture includes an easy to navigate system menu. The control panel (see image below) located on the front of the fixture, provides access to the main system menu and is where all necessary system adjustments are made to the fixture. During normal operation, pressing **ENTER** button once will access the fixture's main menu. Once in the main menu you can navigate through the different functions and access the submenus with the **UP** and **DOWN** buttons. Once you reach a field that requires adjusting, press the **ENTER** button to activate that field and use the UP and **DOWN** buttons to adjust the field. Pressing the **ENTER** button once more will confirm your setting. You may exit the main menu at any time without making any adjustments by pressing the **ENTER** button.

Display Shortcuts:

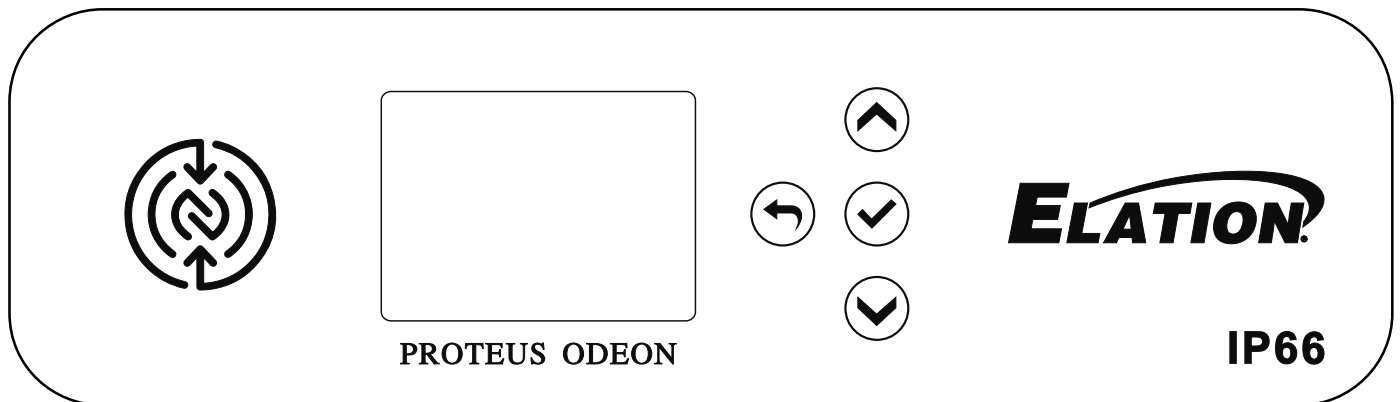
Power Off: Long press the **ENTER** button for 3s, activate battery mode

Power On: Long press the **ENTER** button for 10s, unlock display, show 10s countdown

Long press the **UP** button and the **DOWN** button for 3s, disable Pan Tilt

Long press the **BACK** button and the **ENTER** button for 5s, Countdown 10 sec or Reset to Default

NOTE: To access the LCD Menu Control Display via the internal battery, press and hold the **MODE/ESC** button for 10 seconds. The LCD Menu Control Display will shut **OFF** automatically about 1 minute from the last button press.



BATTERY

This unit features a dedicated battery that can be used to power the screen display. This allows the user to configure the device's channel mode, DMX address, or any other screen-accessible features without needing to power on the device or even connect it to a power source. To activate the display on battery power, press and hold the **ENTER** button for 3 seconds.

ALTHOUGH ARIA SETTINGS MAY APPEAR IN THE SYSTEM MENU, THIS FEATURE IS NOT ACTIVATED. ARIA WIRELESS DMX IS AN OPTIONAL FEATURE WHICH MUST BE ACTIVATED IN THE SERVICE MENU. PLEASE CONTACT ELATION SERVICE FOR FURTHER DETAILS.



AN ELATION E-LOADER III CAN BE USED TO UPDATE THE FIXTURE TO THE LATEST SOFTWARE. SEE PAGE 43 FOR INSTRUCTIONS. TO ORDER THIS DEVICE, PLEASE CONTACT ELATION SUPPORT FOR FURTHER DETAILS.

**ELATION SERVICE USA - Monday - Friday 8:00am to 4:30pm PST
323-582-3322 | Fax 323-832-9142 | support@elationlighting.com**

**ELATION SERVICE EUROPE - Monday - Friday 08:30 to 17:00 CET
+31 45 546 85 63 | Fax +31 45 546 85 96 | support@elationlighting.eu**

SYSTEM MENU

MAIN MENU		OPTIONS / VALUES (Default Settings in BOLD)	
DMX Settings	DMX Address	001 - 512	
	DMX Mode	Standard CRI 80	
		Standard Flex CRI	
		Ext. CRI 80	
		Ext. Flex CRI	
	No DMX Status	Hold Last	
		Fade to Black	
		Sun Protection	
		Hibernation	Off, 1-99M (Default = 15 Min)
	Protocol	Select Signal	DMX /Art-Net/sACN/Aria In-DMX Out/DMX In - Aria Out
Universe		1	
DHCP		Off /On	
IP Address		2.x.x.x	
Subnet Mask		255.0.0.0	
Ethernet DMX Out		Off /On	
Aria	Aria Channel	0 -14	
Control	Manual Control	Dimmer 0% - 100%	
		Pan	
		Tilt	
		...	
	Reset	All	
		Pan Tilt	
		Color	
		Gobo	
		Focus Zoom	
		Others	
	Self Test	All	
		Dimmer	
		Movement	
		Color Mix	
		Gobo	
Beam			
Settings	Movement	Pan Invert	Off /On
		Tilt Invert	Off /On
		Pan Tilt Speed	Smooth/ Fast
		Pan Tilt Brake	Smooth/ Fast
		Pan Tilt Feedback	Off/ On
	Fans Control	Auto	
		High	
		Low	
		Studio	
	Color	CRI	73/ 80 /93
		CMY Speed	Smooth/ Fast
	Dimmer Curve	Linear	
		Square	
		Square Inverse	
		S-Curve	
	Display	Screen Delay	10s - 5min (Default = 1 min)
		Screen Lock	Off , 10s - 5 min
Auto Rotate		Off/ On	
Reset Defaults	Yes / No		

SYSTEM MENU

MAIN MENU		OPTIONS / VALUES (Default Settings in BOLD)	
Information	Time	Current Time	
		Total Run Time	
		Last Run Time	
	Temperature	Head	
		Base	
		Lamp	
	Humidity	Head	
		Base	
	Fan	Fan 1U (Position)	
		Fan 1U (Position)	
DMX Values	Pan		
	Tilt		
	...		
Product IDs	RDM UID		
Error Logs	Fixture Errors		
Software Version	Vx.x		
Service (Passcode = 050)	Calibration	Dimmer	
		Pan	
		Tilt	
		...	
	Reset Last Run	Yes / No	
Reset Error Logs	Yes / No		
Display Shortcuts			
Power Off			
ENTER (3s)	activate battery mode		
Power On			
Enter (10s)	unlock display, show 10s countdown		
Up+Down (3s)	disable Pan Tilt		
Back + Enter (10s)	countdown 10 sec		
	Reset to Default (no/yes)		

SYSTEM MENU

FUNCTION - Auto Program

Define fixture mode (**Primary** or **Alone**) for running Auto Programs. Select desired internal programs under "**Select Program**", set the number of steps under "**Edit program**", and edit individual scenes under "**Edit Scenes**".

PERSONALITY - Status Settings - Address Via DMX

When ON, define the desired DMX address via an external controller.

NOTE: This process assumes the fixture DMX address is set to 001. If fixture DMX address is not at 001, you must adjust the channel numbers accordingly in order for this feature to work.

For example: if your fixture address is 010, then Channel 1 becomes Channel 10, Channel 2 becomes Channel 11, and Channel 3 becomes Channel 12.

1. Connect the fixture to the external controller and power ON.
2. Set the DMX value of **Channel 1** on the controller to (7).
3. Set the DMX value of **Channel 2** on the controller to (7) or (8). When set to (7), the DMX address can be set between (1) and (255). When set to (8), the DMX address can be set between (256) and (511).
4. Using **Channel 3** on the controller set the desired DMX address of the fixture.
Example 1: If the desired DMX address is **57**, set **Channel 1** to a value of (7), set **Channel 2** to a value of (7), and then set **Channel 3** to a value of (57).
Example 2: If the desired DMX address is **420**, set **Channel 1** to a value of (7), set **Channel 2** to a value of (8), and then set **Channel 3** to a value of (164). (256+164=420)
5. After setting **Channel 3** to the desired DMX address value, wait approximately 20 seconds for the fixture to complete the address reset function.

PERSONALITY - Service Settings - Password (050)

NOTE: The Service Password MUST be entered in order to access the following menus:

Clear Err. Info

PERSONALITY - Display Setting - Key Lock

When ON, Control Panel buttons lock automatically after exiting main menu for 15 seconds. To unlock, keep **MODE/ESC** button pressed for 3 seconds.

PERSONALITY - Dimmer Curve

Select dimming curve (Linear, Square, InverseSquare, S-Curve).

PERSONALITY - Reset Default (011)



ONLY QUALIFIED TECHNICIANS SHOULD PERFORM THIS FUNCTION!

NOTE: SAVED WHITE BALANCE IS ERASED AFTER A RESET IS PERFORMED!

This function restores all fixture settings to the factory default settings. The password is **011** and must be entered each time a reset is performed.

EFFECT ADJUST - Test Channel

Auto test each individual channel function independently from the DMX control board.

EFFECT ADJUST - Manual Control

Select and manually test and fine adjust each individual channel function Independently from DMX control board. This function will center TILT motors and set dimmer to 100%. TILT functions will still operate if the fixture needs to be positioned to a flat clear surface. With the individual functions, you can focus the light on a flat surface (wall) and perform fine adjustments.

SYSTEM MENU

EFFECT ADJUST - Calibration



ONLY QUALIFIED TECHNICIANS SHOULD PERFORM THIS FUNCTION.

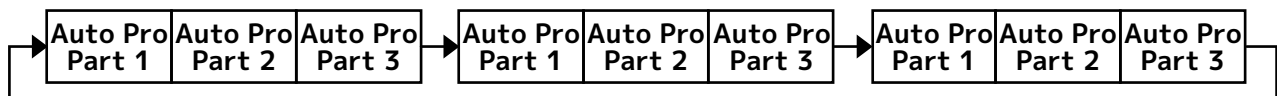
This function allows small adjustments to be made to the Tilt and Zoom movements to compensate for wear or in the event a sensor has been knocked slightly out of place. Because improper use of this function can result in undesired operation this function has been password protected. The password is **050** and must be entered each time the calibration menu function is entered. Because calibration is an extremely delicate procedure, instructions on performing this action are left out of this manual. For a first-time calibrator, please contact our customer support team for step-by-step instructions.

EDIT PROGRAM - Rec. Controller

The fixture features an integrated DMX-recorder by which you can transmit the programmed scenes from your DMX-controller to the moving head. Adjust the desired scene numbers via the encoder (from – to). When you call up the scenes at your controller, they will automatically be transmitted to the moving head.

EDIT PROGRAM Record Controller Working With Built In Programs

A Master unit can send up to 3 different data groups to the Secondary units, i.e. a Master unit can start 3 different Secondary units, which run 3 different programs. The Master unit sends the 3 program parts in a continuous loop.



The Secondary unit receives data from the Master unit according to the group which the Secondary unit was assigned to. If e.g. a Secondary unit is set to **“Secondary 1”** in the menu **“Set to Secondary”**, the Primary unit sends **“Auto Program Part 1”** to the Secondary unit. If set to **“Secondary 2”**, the Secondary unit receives **“Auto Program Part 2”**.

To start an Auto Program proceed as follows:

1. Secondary Setting

- Select **“Function Mode”**.
- Press **ENTER** to confirm.
- Select **“Set to Secondary”**.
- Press **ENTER** to confirm.
- Select **“Secondary 1”**, **“Secondary 2”** or **“Secondary 3”**.
- Press **ENTER** to confirm.
- Press **MODE/ESC** in order to return to the main menu.

2. Automatic Program Run

- Select **“Function Mode”**.
- Press **ENTER** to confirm.
- Select **“Auto Program”**.
- Press **ENTER** to confirm.
- Select **“Primary”** or **“Alone”**.
- Press **ENTER** to confirm.
- Press **MODE/ESC** in order to return to the main menu.

SYSTEM MENU

3. Program Selection for Auto Pro Part

- Select **"Edit Program"**.
- Press **ENTER** to confirm.
- Select **"Select Programs"**.
- Press **ENTER** to confirm.
- Select **"Auto Pro Part 1"**, **"Auto Pro Part 2"** or **"Auto Pro Part 3"**, and select which Secondary program is to be sent. Selection **"Part 1"** means, that the Secondary unit runs the same program as the master units.
- Press **ENTER** to confirm.
- Press **MODE/ESC** in order to return to the main menu.

4. Program Selection for Edit Program

- Select **"Edit Program"**.
- Press **ENTER** to confirm.
- Select **"Edit Program"**.
- Press **ENTER** to confirm.
- Select the desired program to edit specific scenes into a specific program.
- Press **ENTER** to confirm.
- Press **MODE/ESC** in order to return to the main menu.

5. Automatic Scene Recording

- Select **"Edit Program"**.
- Press **ENTER** to confirm.
- Select **"Edit Scenes"**.
- Press **ENTER** to confirm.
- Select desired scene numbers. A maximum of 250 scenes can be programmed.
- Press **ENTER** to confirm.
- Press **MODE/ESC** in order to return to the main menu.

Example:

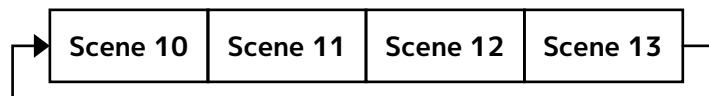
Program 2 includes scenes: 10, 11, 12, & 13 Program 4 includes scenes: 8, 9, & 10 Program 6 includes scenes: 12, 13, 14, & 15 Auto Pro Part 1 is Program 2

Auto Pro Part 2 is Program 3

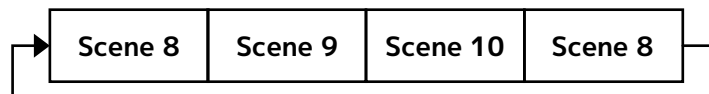
Auto Pro Part 3 is Program 6

The 3 Secondary groups run the Auto Program in certain time segments. (See diagram below)

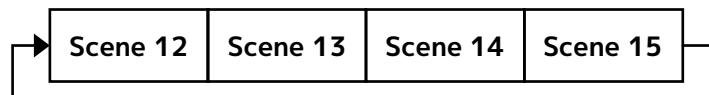
Part 1:



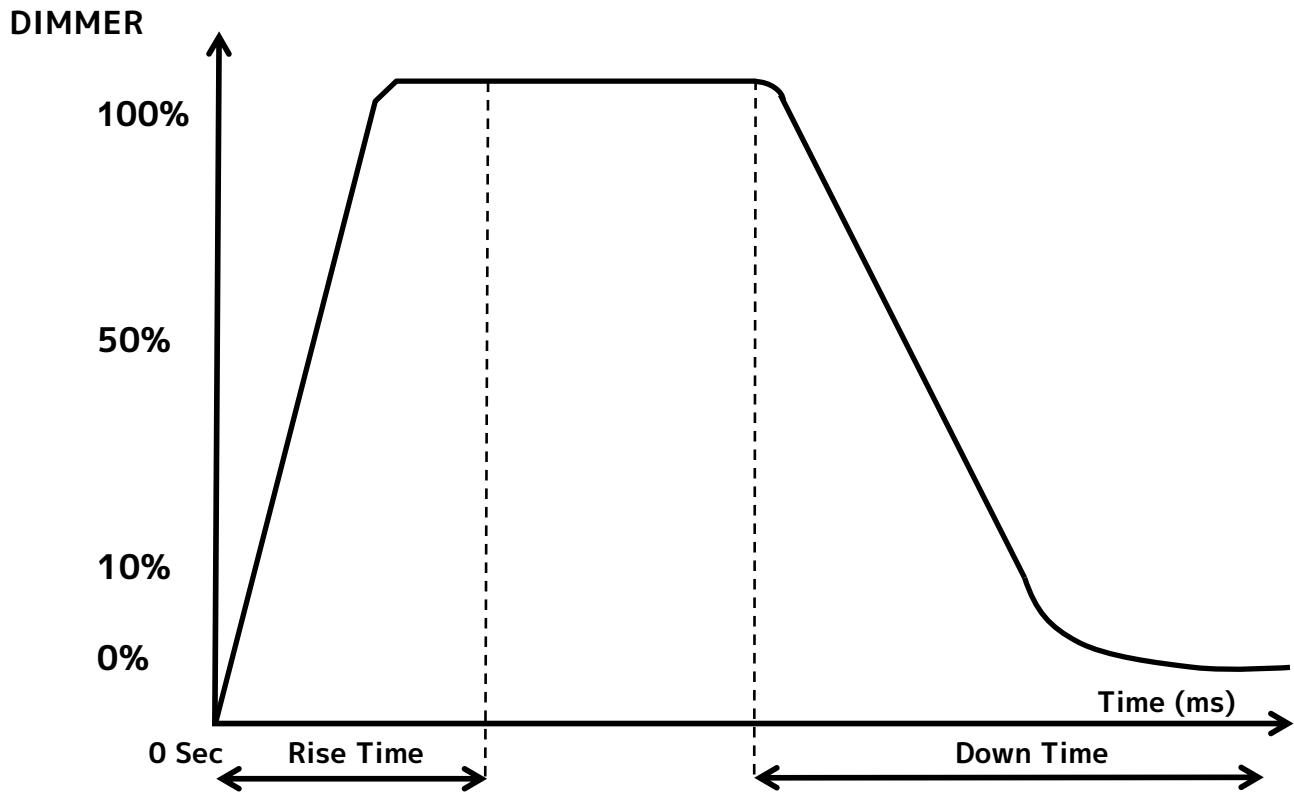
Part 2:



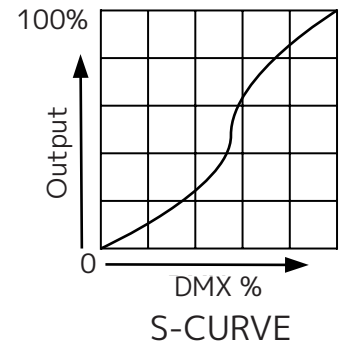
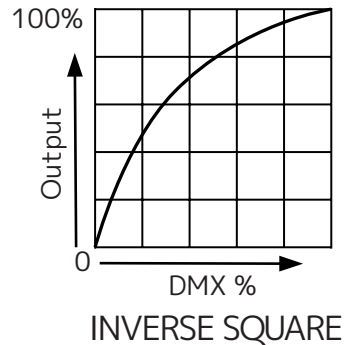
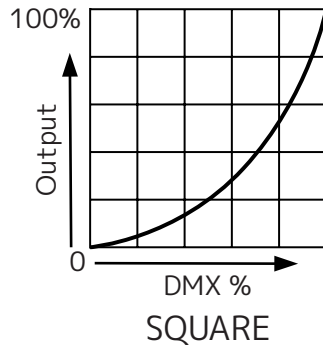
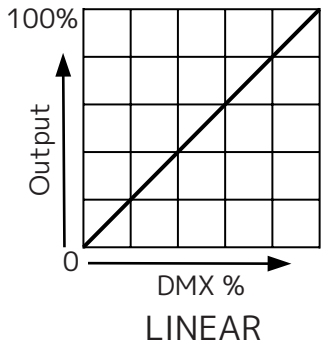
Part 3:



DIMMER MODES AND DIMMER CURVES



Dimming Curve Ramp Effect	0 sec Fade Time		1 sec Fade Time	
	Rise Time (ms)	Down Time (ms)	Rise Time (ms)	Down Time (ms)
Standard (default)	0	0	0	0
Stage	780	1100	1540	1660
TV	1180	1520	1860	1940
Architectural	1380	1730	2040	2120
Theatre	1580	1940	2230	2280
Stage 2	0	1100	0	1660



DMX TRAITS

Std. CRI 80	Std. Flex CRI	Ext. CRI 80	Ext. Flex CRI	Value	Function	Snap	Default Value
1	1	1	1	0-255	Pan		127
					Left → Right		
2	2	2	2	0-255	Pan Fine		127
					Fine Position		
3	3	3	3	0-255	Tilt		127
					Forward → Backward		
4	4	4	4	0-255	Tilt Fine		127
					Fine Position		
5	5	5	5	0-255	Cyan		0
					0 → 100%		
		6	6	0-255	Cyan Fine		0
					Fine Saturation		
6	6	7	7	0-255	Magenta		0
					0 → 100%		
		8	8	0-255	Magenta Fine		0
					Fine Saturation		
7	7	9	9	0-255	Yellow		0
					0 → 100%		
		10	10	0-255	Yellow Fine		0
					Fine Saturation		
8	8	11	11	0-255	CTO		0
					Cold → Warm		
		12	12	0-255	CTO Fine		0
					Fine Saturation		
	9		13		CRI		127
				0-126	CRI 73 - 80		
				127	CRI 80 (Highest Output)		
				128-255	CRI 80 - 93		
9	10	13	14		Color	X	0
				0-7	Open		
				8-31	Red		
				32-55	Green		
				56-79	UV		
				80-103	Orange		
				104-127	Medium Blue		
					Scroll		
				128-189	Clockwise Fast → Slow		
				190-193	Stop		
194-255	Counter-clockwise Slow → Fast						
		14	15	0-255	Color Fine	X	0
					Position		

DMX TRAITS

Std. CRI 80	Std. Flex CRI	Ext. CRI 80	Ext. Flex CRI	Value	Function	Snap	Default Value
10	11	15	16		Rotating Gobo 1	X	0
				0-9	Open		
				10-19	Gobo 1		
				20-29	Gobo 2		
				30-39	Gobo 3		
				40-49	Gobo 4		
				50-59	Gobo 5		
				60-69	Gobo 6		
				70-89	Gobo 1 shake slow to fast		
				90-109	Gobo 2 shake slow to fast		
				110-129	Gobo 3 shake slow to fast		
				130-149	Gobo 4 shake slow to fast		
				150-169	Gobo 5 shake slow to fast		
				170-189	Gobo 6 shake slow to fast		
					Scroll		
				190-221	Clockwise Fast → Slow		
222-223	Stop						
224-255	Counter-clockwise Slow → Fast						
11	12	16	17		Rotating Gobo 1 Index/ Rotation		0
				0-127	Index Position		
					Rotate		
				128-189	Clockwise Fast → Slow		
				190-193	Stop		
194-255	Counter-clockwise Slow → Fast						
12	13	17	18	0-255	Rotating Gobo Index/ Rotation Fine Index Position		0
13	14	18	19		Rotating Gobo 2	X	0
				0-9	Open		
				10-19	Gobo 1		
				20-29	Gobo 2		
				30-39	Gobo 3		
				40-49	Gobo 4		
				50-59	Gobo 5		
				60-69	Gobo 6		
				70-77	Gobo 7		
				78-93	Gobo 1 shake slow to fast		
				94-109	Gobo 2 shake slow to fast		
				110-125	Gobo 3 shake slow to fast		
				126-141	Gobo 4 shake slow to fast		
				142-157	Gobo 5 shake slow to fast		
				158-173	Gobo 6 shake slow to fast		
				174-189	Gobo 7 shake slow to fast		
	Scroll						
190-221	Clockwise Fast → Slow						
222-223	Stop						
224-255	Counter-clockwise Slow → Fast						
14	15	19	20		Rotating Gobo 2 Index/ Rotation		0
				0-127	Index Position		
					Rotate		
				128-189	Clockwise Fast → Slow		
				190-193	Stop		
194-255	Counter-clockwise Slow → Fast						
15	16	20	21	0-255	Rotating Gobo 2 Index/ Rotation Fine Index Position		0

DMX TRAITS

Std. CRI 80	Std. Flex CRI	Ext. CRI 80	Ext. Flex CRI	Value	Function	Snap	Default Value
16	17	21	22		Fixed Gobo	X	0
				0-9	Open		
				10-19	Gobo 1		
				20-29	Gobo 2		
				30-39	Gobo 3		
				40-49	Gobo 4		
				50-59	Gobo 5		
				60-69	Gobo 6		
				70-77	Gobo 7		
				78-93	Gobo 1 shake slow to fast		
				94-109	Gobo 2 shake slow to fast		
				110-125	Gobo 3 shake slow to fast		
				126-141	Gobo 4 shake slow to fast		
				142-157	Gobo 5 shake slow to fast		
				158-173	Gobo 6 shake slow to fast		
				174-189	Gobo 7 shake slow to fast		
					Scroll		
190-221	Clockwise Fast → Slow						
222-223	Stop						
224-255	Counter-clockwise Slow → Fast						
		22	23	0-255	Fixed Gobo Fine Position		0
17	18	23	24		Rotating Prism 1	X	0
				0-63	Open		
				64-255	4-Facet		
18	19	24	25		Rotating Prism 1 Index/Rotation		0
				0-127	Index Position		
					Rotate		
				128-189	Clockwise Fast → Slow		
				190-193	Stop		
194-255	Counter-clockwise Slow → Fast						
		25	26	0-255	Rotating Prism 1 Index/Rotation Fine Position		0
19	20	26	27		Rotating Prism 2	X	0
				0-63	Open		
				64-255	4-Facet		
20	21	27	28		Rotating Prism 2 Index/Rotation		0
				0-255	Index Position		
					Rotate		
				128-189	Clockwise Fast → Slow		
				190-193	Stop		
194-255	Counter-clockwise Slow → Fast						
		28	29	0-255	Rotating Prism 2 Index/Rotation Fine Position		0
21	22	29	30	0-255	Focus		127
					Infinity → Near		
22	23	30	31	0-255	Focus Fine		127
					Fine Adjustment		
23	24	31	32	0-255	Zoom		127
					Narrow → Wide		
24	25	32	33	0-255	Zoom Fine		127
					Fine Adjustment		

DMX TRAITS

Std. CRI 80	Std. Flex CRI	Ext. CRI 80	Ext. Flex CRI	Value	Function	Snap	Default Value
					Auto Focus		
				0-4	Auto Focus Off		
				5-9	5.0m		
				10-14	5.2m		
				15-19	5.4m		
				20-24	5.6m		
				25-29	5.8m		
				30-34	6.0m		
				35-39	6.3m		
				40-44	6.5m		
				45-49	6.8m		
				50-54	7.0m		
				55-59	7.3m		
				60-64	7.5m		
				65-69	7.7m		
				70-74	8.0m		
				75-79	8.3m		
				80-84	8.5m		
				85-89	8.7m		
				90-94	9.0m		
				95-99	9.3m		
		33	34	100-104	9.5m		
				105-109	9.8m		
				110-114	10.0m		
				115-119	10.5m		
				120-124	11.0m		
				125-129	11.5m		
				130-134	12.0m		
				135-139	12.5m		
				140-144	13.0m		
				145-149	13.5m		
				150-154	14.0m		
				155-159	14.5m		
				160-164	15.0m		
				165-169	15.5m		
				170-174	16.0m		
				175-179	16.5m		
				180-184	17.0m		
				185-189	17.5m		
				190-194	18.0m		
				195-199	18.5m		
				200-204	19.0m		
				205-209	19.5m		
				210-214	20.0m		
				215-255	Idle		

DMX TRAITS

Std. CRI 80	Std. Flex CRI	Ext. CRI 80	Ext. Flex CRI	Value	Function	Snap	Default Value
		34	35	0-255	AutoFocus Fine Fine Adjustment		0
25	26	35	36		Shutter/Strobe	X	50
				0-31	Closed		
				32-63	Open		
				64-95	Strobe Slow → Fast		
				96-127	Open		
				128-159	Pulse-effect		
				160-191	Open		
				192-223	Random strobe Slow → Fast		
224-255	Open						
26	27	36	37	0-255	Dimmer Intensity 0 → 100%		0
27	28	37	38	0-255	Dimmer Fine Fine Adjustment		0
28	29	38	39		Dim Modes	X	0
				0-20	Standard		
				21-40	Stage		
				41-60	TV		
				61-80	Architectural		
				81-100	Theatre		
				101-120	Stage 2		
					Dimmer Delay Time		
				121	0s		
				122	0.1s		
				123	0.2s		
				124	0.3s		
				125	0.4s		
				126	0.5s		
				127	0.6s		
				128	0.7s		
				129	0.8s		
				130	0.9s		
				131	1.0s		
				132	1.5s		
				133	2.0s		
				134	3.0s		
				135	4.0s		
				136	5.0s		
137	6.0s						
138	7.0s						
139	8.0s						
140	9.0s						
141	10s						
142-255	Idle						
29	30	39	40		Iris		0
				0-191	Open → Close		
				192-223	Pulse Closing fast → slow		
				224-255	Pulse Opening slow → fast		
		40	41	0-255	Iris Fine Fine Adjustment		0
30	31	41	42	0-255	Frost 1 (Soft) Open → Max		0
31	32	42	43	0-255	Frost 2 (Wash) Open → Max		0

DMX TRAITS

Std. CRI 80	Std. Flex CRI	Ext. CRI 80	Ext. Flex CRI	Value	Function	Snap	Default Value
32	33	43	44		Animation Wheel		0
				0-7	Open		
				8-255	Animation Min → Max		
33	34	44	45		Animation Index		64
				0-127	Position		
					Scroll		
				128-189	Clockwise Fast → Slow		
				190-193	Stop		
				194-255	Counter-clockwise Slow → Fast		
		45	46	0-255	Color Macro Speed Max → Min Speed		0
		46	47		Color Macros	X	0
				0-31	OFF		
				32-39	Macro1		
				40-47	Macro2		
				48-55	Macro3		
				56-63	Macro4		
				64-71	Macro5		
				72-79	Macro6		
				80-87	Macro7		
				88-95	Macro8		
				96-103	Macro9		
				104-111	Macro10		
				112-119	Macro11		
				120-127	Macro12		
				128-135	Macro13		
				136-143	Macro14		
				144-151	Macro15		
				152-159	Macro16		
				160-167	Macro17		
				168-175	Macro18		
				176-183	Macro19		
				184-191	Macro20		
				192-199	Macro21		
				200-207	Macro22		
				208-215	Macro23		
		216-223	Macro24				
		224-231	Macro25				
		232-239	Macro26				
		240-247	Macro27				
		248-255	Random CMY				

DMX TRAITS

Std. CRI 80	Std. Flex CRI	Ext. CRI 80	Ext. Flex CRI	Value	Function	Snap	Default Value	
34	35	47	48	0-255	Blade 1 A		0	
					Open → Closed			
		48	49	0-255	Blade 1 A Fine		0	
					Fine Adjustment			
35	36	49	50	0-255	Blade 1 B		0	
					Open → Closed			
		50	51	0-255	Blade 1 B Fine		0	
					Fine Adjustment			
36	37	51	52	0-255	Blade 2 A		0	
					Open → Closed			
		52	53	0-255	Blade 2 A Fine		0	
					Fine Adjustment			
37	38	53	54	0-255	Blade 2 B		0	
					Open → Closed			
		54	55	0-255	Blade 2 B Fine		0	
					Fine Adjustment			
38	39	55	56	0-255	Blade 3 A		0	
					Open → Closed			
		56	57	0-255	Blade 3 A Fine		0	
					Fine Adjustment			
39	40	57	58	0-255	Blade 3 B		0	
					Open → Closed			
		58	59	0-255	Blade 3 B Fine		0	
					Fine Adjustment			
40	41	59	60	0-255	Blade 4 A		0	
					Open → Closed			
		60	61	0-255	Blade 4 A Fine		0	
					Fine Adjustment			
41	42	61	62	0-255	Blade 4 B		0	
					Open → Closed			
		62	63	0-255	Blade 4 B Fine		0	
					Fine Adjustment			
42	43	63	64	0-126	Framing Rotation		127	
					0-126			Min (-45°)
					127-128			Parallel (0°)
		64	65	0-255	Framing Rotation Fine		0	
					Fine Adjustment			
		65	66	0-255	Framing Macro Speed		0	
					Max → Min Speed			

DMX TRAITS

Std. CRI 80	Std. Flex CRI	Ext. CRI 80	Ext. Flex CRI	Value	Function	Snap	Default Value
					Framing Macro		
				0-7	OFF		
				8-15	Macro1		
				16-23	Macro2		
				24-31	Macro3		
				32-39	Macro4		
				40-47	Macro5		
				48-55	Macro6		
				56-63	Macro7		
				64-71	Macro8		
				72-79	Macro9		
				80-87	Macro10		
				88-95	Macro11		
				96-103	Macro12		
				104-111	Macro13		
				112-119	Macro14		
		66	67	120-127	Macro15	X	0
				128-135	Macro16		
				136-143	Macro17		
				144-151	Macro18		
				152-159	Macro19		
				160-167	Macro20		
				168-175	Macro21		
				176-183	Macro22		
				184-191	Macro23		
				192-199	Macro24		
				200-207	Macro25		
				208-215	Macro26		
				216-223	Macro27		
				224-231	Macro28		
				232-239	Macro29		
				240-247	Macro30		
				248-255	Macro31		
					Pan / Tilt Speed		
				0-225	Max → Min Speed		
		67	68	226-235	Blackout by movement	X	0
				236-245	Blackout by wheel changes		
				246-255	No function		
					Control		
				0-19	Wheel Snap		
				20-29	Color Wheel Fade		
				30-39	Color/Gobo Wheel Fade		
					Fan Mode		
				40-44	Mute		
				45-49	Studio		
				50-59	Low		
				60-69	High		
				70-79	Auto (default)		
					Reset		
				80-84	Fixture		
				85-87	Pan Tilt		
				88-90	Color		
				91-93	Gobo		
				94-96	Focus Zoom		
				97-99	Other Features		
43	44	68	69				

DMX TRAITS

Std. CRI 80	Std. Flex CRI	Ext. CRI 80	Ext. Flex CRI	Value	Function	Snap	Default Value
43	44	68	69		Refresh Rate (Hz)	X	0
				100	900		
				101	910		
				102	920		
				103	930		
				104	940		
				105	950		
				106	960		
				107	970		
				108	980		
				109	990		
				110	1000		
				111	1010		
				112	1020		
				113	1030		
				114	1040		
				115	1050		
				116	1060		
				117	1070		
				118	1080		
				119	1090		
				120	1100		
				121	1110		
				122	1120		
				123	1130		
				124	1140		
				125	1150		
				126	1160		
				127	1170		
				128	1180		
				129	1190		
				130	1200 (default)		
131	1210						
132	1220						
133	1230						
134	1240						
135	1250						
136	1260						
137	1270						
138	1280						
139	1290						
140	1300						
141	1310						

DMX TRAITS

Std. CRI 80	Std. Flex CRI	Ext. CRI 80	Ext. Flex CRI	Value	Function	Snap	Default Value
				142	1320		
				143	1330		
				144	1340		
				145	1350		
				146	1360		
				147	1370		
				148	1380		
				149	1390		
				150	1400		
				151	1410		
				152	1420		
				153	1430		
				154	1440		
				155	1450		
				156	1460		
				157	1470		
				158	1480		
				159	1490		
				160	1500		
				161	2500		
				162	4000		
		68	69	163	5000	X	0
				164	6000		
				165	10000		
				166	15000		
				167	20000		
				168	25000		
				169-170	Cmy Smooth		
				171-172	Cmy Fast		
				173-174	Hibernation Off		
				175-176	Hibernation		
				177-178	Sun Protection On		
				179-180	Sun Protection Off		
				181-190	Pan Tilt Smooth		
				191-200	Pan Tilt Fast		
					Dimmer Curve		
				201-210	Linear		
				211-220	Square		
				221-230	Inverse Square		
				231-240	S-Curve		
				241-249	Idle		
				250-251	Display Off		
				252-253	Display On		
				254-255	Idle		

COLOR TEMPERATURE

DMX VALUE	COLOR TEMPERATURE (K)	DMX VALUE	COLOR TEMPERATURE (K)
24	2400	63	6300
25	2500	64	6400
26	2600	65	6500
27	2700	66	6600
28	2800	67	6700
29	2900	68	6800
30	3000	69	6900
31	3100	70	7000
32	3200	71	7100
33	3300	72	7200
34	3400	73	7300
35	3500	74	7400
36	3600	75	7500
37	3700		
38	3800		
39	3900		
40	4000		
41	4100		
42	4200		
43	4300		
44	4400		
45	4500		
46	4600		
47	4700		
48	4800		
49	4900		
50	5000		
51	5100		
52	5200		
53	5300		
54	5400		
55	5500		
56	5600		
57	5700		
58	5800		
59	5900		
60	6000		
61	6100		
62	6200		

VIRTUAL COLORS

VALUE	FILTER #	COLOR
lee filter	ROCSO	
LEE026	26	bright red
LEE736	2004	Twickenham Green
LEE101	312	Yellow
LEE797	347	Deep purple
N/A	124	dark green
LEE781	19	fire
LEE128	339	Bright Pink
LEE118	251	NO COLOUR BLUE
N/A	29	Plasa red
23	158	Deep Orange
344	328	Follies Pink
71	382	Tokyo Blue
LEE201	371	FULL CT Blue
LEE204	16	FULL CT Orange
LEE141	69	bright Blue
248	3313	1/2 Minus Green

REMOTE DEVICE MANAGEMENT (RDM)

NOTE: In order for RDM to work properly, RDM enabled equipment must be used throughout the entire system, including DMX data splitters and wireless systems.

Remote Device Management (RDM) is a protocol that sits on top of the DMX512 data standard for lighting, allowing the DMX systems of the fixtures to be modified and monitored remotely. This protocol is ideal for instances in which a unit is installed in a location that is not easily accessible.

With RDM, the DMX512 system becomes bi-directional, allowing a compatible RDM enabled controller to send out a signal to devices on the wire, as well as allowing the fixture to respond (known as a GET command). The controller can then use its SET command to modify settings that would typically have to be changed or viewed directly via the unit's display screen, including the DMX Address, DMX Channel Mode, and Temperature Sensors.

FIXTURE RDM INFORMATION:

RDM Code	Device ID	Device Model ID	Personality ID
0x22A6	Open	0x705	Standard Mode (1) Extended Mode (2)

Please be aware that not all RDM devices support all RDM features, and therefore it is important to check beforehand to ensure that the equipment that you are considering includes all of the features that you require.

The following parameters are accessible in RDM on this device:

[0x0200] Sensor Definition
[0x0201] Sensor Value
[0x0080] Device Model Description
[0x0081] Manufacturer Label
[0x0082] Device Label
[0x00E0] DMX Personality
[0x00E1] DMX Personality Description
[0x0400] Device Hours
[0x0600] Pan Invert
[0x0601] Tilt Invert
[0x0500] Display Invert

ERROR CODES

When power is applied, the unit will automatically enter a "Reset/Test" mode. This mode brings all the internal motors to a home position. If there is an internal problem with one or more of the motors an error code will flash in the display in the form of "XXEr" where as XX will represent a function number. For example, when the display shows "0Er" it means there is some type of error with the Pan motor. If there are multiple errors during the start-up process they will all flash in the display. For example: if the fixtures has errors on Channel 1, 2, and 5 all at the same time, you will see the error message "01Er", "02Er", and "05Er" flash repeated 5 times.

If an error does occur during the initial start-up procedure the fixture will self-generate a second reset signal and try to realign all the motors and correct the errors. If the error persists after a second attempt a third attempt will be made. If after a third attempt all the errors have not been corrected the fixture will make the following determinations:

- 3 or More Errors: The fixture cannot function properly with three or more errors therefore the fixture will place itself in a stand-by mode until subsequent repairs can be made.
- Less Than 3 Errors: The fixture has less than 3 errors; therefore, most other functions will work properly. The fixture will attempt to operate normally until the errors can be correct by a technician. The errors in question will remain flashing in the display as a reminder of internal errors.

Note: Error Codes are subject to change without any prior written notice.	
ERROR CODES	DESCRIPTION
PAN Er	Movement is not located in the default position after the reset. This message will appear after a fixture reset if the magnetic-indexing circuit malfunctions (sensor failed, or magnet is missing) or there is a motor failure (defective motor or a defective motor IC drive on the main PCB). This error may also be displayed if the head/yoke was blocked during TILT Er a reset function.
TILT Er	
Cyan Color Er	Movement is not located in the default position after the reset. This message will appear after a fixture reset if the magnetic-indexing circuit malfunctions (sensor failed, or magnet is missing) or there is a motor failure (defective motor or a defective motor IC drive on the main PCB).
Magenta Color Er	
Yellow Color Er	
CTO Color Er	
Color Wheel 1 Er	
Gobo Wheel Er	
Gobo_Rot Er	
Fix gobo Wheel Er	
Focus Er	
Zoom Er	
Iris Er	
Animation Er	
Animation Rot Er	
All Blade Rotation Er	
Prism 1 Er	
Prism 2 Er	
Prism_Rot 1 Er	
Prism_Rot 2 Er	

SOFTWARE UPDATES

E-LOADER III



**ONLY QUALIFIED TECHNICIANS SHOULD PERFORM THIS FUNCTION!
NOTE ALL MENU SETTINGS BEFORE UPDATING SOFTWARE!
FIXTURE SOFTWARE CAN NOT BE DOWNGRADED!
DOWNLOAD FIXTURE SOFTWARE TO PC ONLY! (NO MAC SUPPORT)
PLEASE CONTACT ELATION SERVICE FOR FURTHER INFORMATION.**

An Elation E-Loader III can be used to update the fixture to the latest software. Please visit the E-Loader III product page at the Elation web site and download the product manual for step by step instructions.

<https://www.elationlighting.com/e-loader-iii-software-uploader>

To order the E-Loader III uploader and the updated software for your fixture, please contact Elation support for details.

SOFTWARE UPDATES

ETHERNET UPDATER

Software updates for this fixture can be performed using the Elation Ethernet Updater. Contact Elation Service to obtain this updater device:

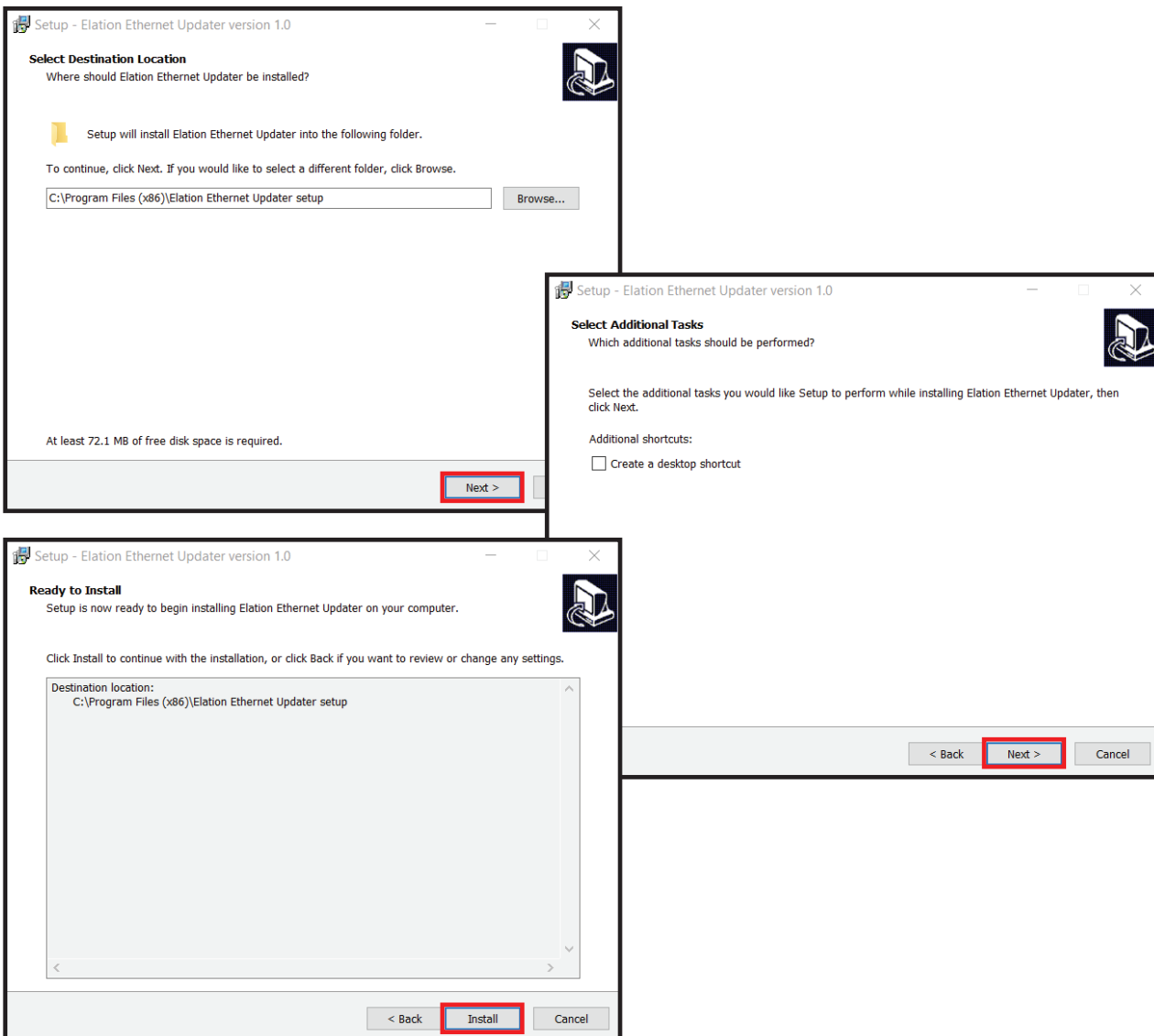
ELATION SERVICE USA - Monday - Friday 8:00am to 4:30pm PST
323-582-3322 | Fax 323-832-9142 | support@elationlighting.com

ELATION SERVICE EUROPE - Monday - Friday 08:30 to 17:00 CET
+31 45 546 85 63 | Fax +31 45 546 85 96 | support@elationlighting.eu

The Elation Ethernet Updater is an EXE file, which only works on a PC System. Once you've received the Elation Ethernet Updater RAR file from Elation Service via email, download and extract the EXE file. With the file extracted, click Elation Ethernet Updater setupV100.exe to launch the installation wizard.

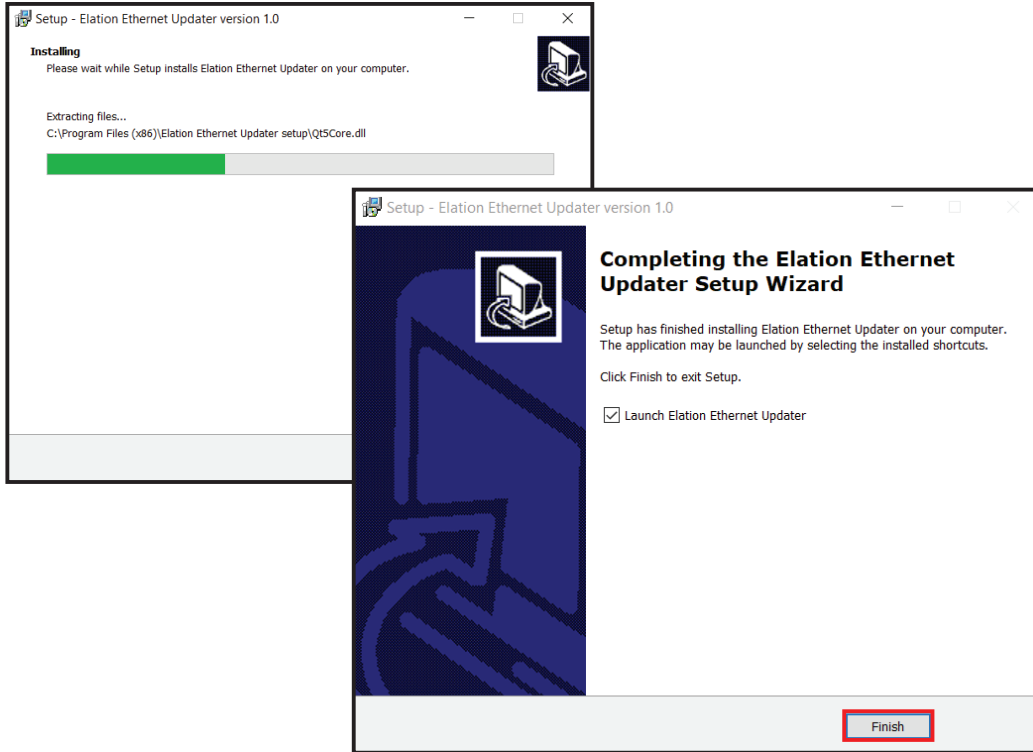


Follow the prompts once the Elation Ethernet Updater EXE has launched the Setup Wizard.

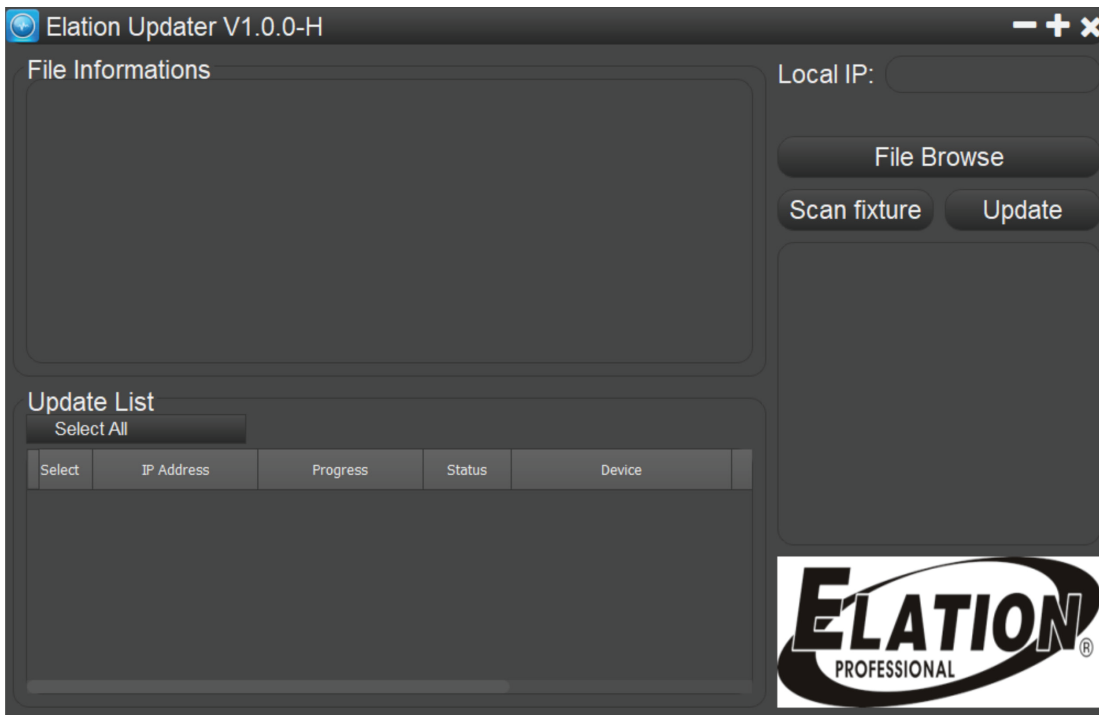


SOFTWARE UPDATES

ETHERNET UPDATER



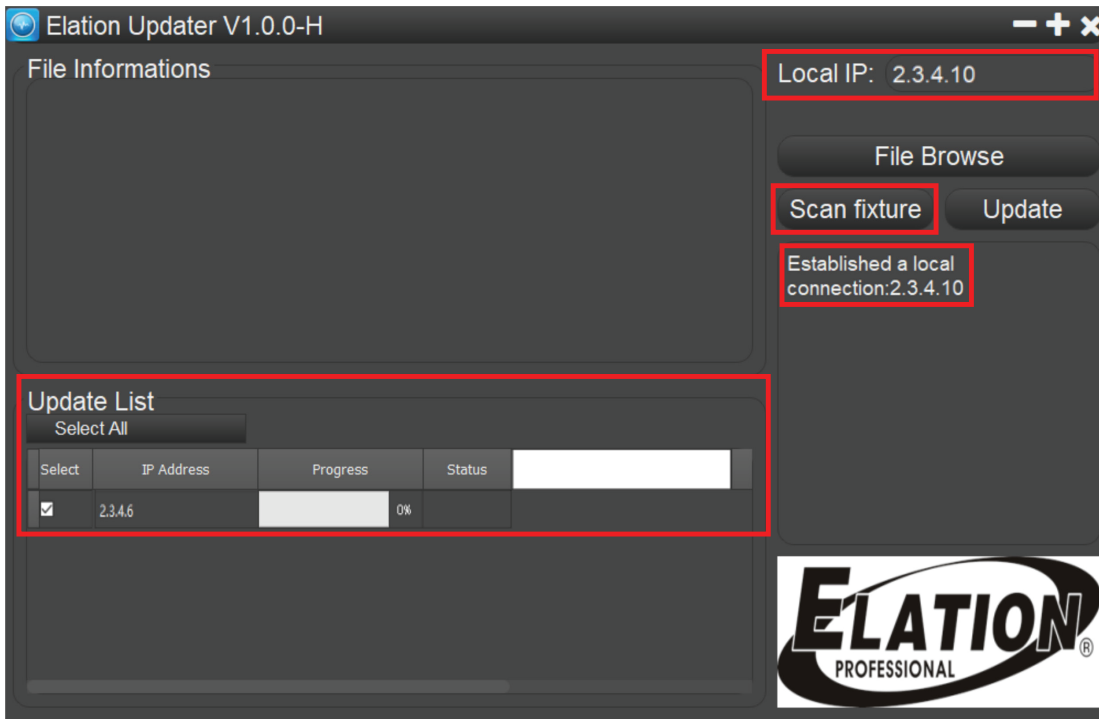
Once you have installed the Elation Ethernet Updater, it will launch automatically (unless you unchecked "Launch Elation Ethernet Updater"), or you can open it any time by clicking on the icon.



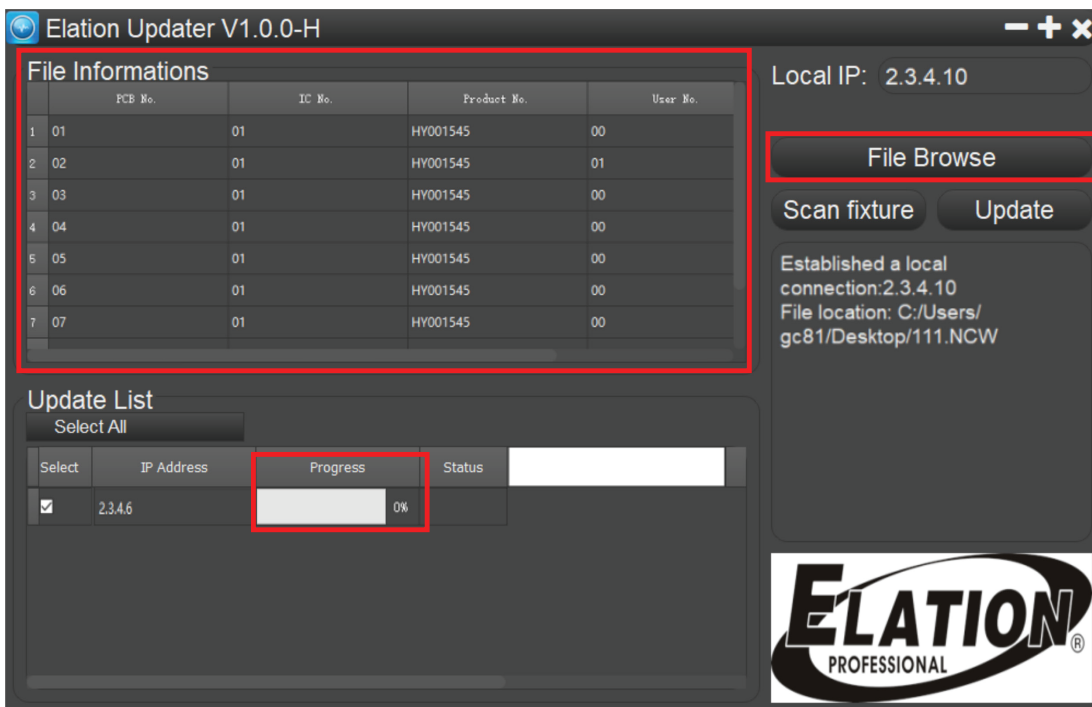
SOFTWARE UPDATES

ETHERNET UPDATER

Once opened, your local IP will automatically be identified. Click "Scan fixture" and create a connection. The fixture identity will appear in the Update List on the left side of browser. A connection will fail to establish if the fixture IP and Local IP are not in the same network segment.



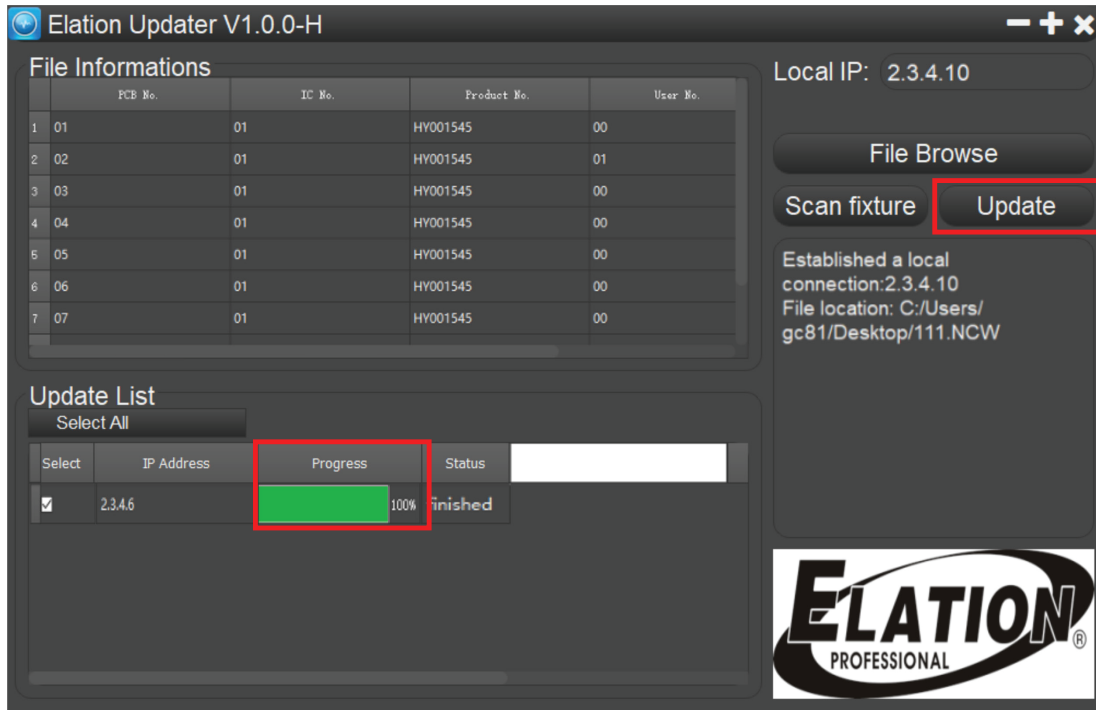
Click "File Browse" to select the files you want to download. The download Progress is displayed in the File information chart as a percentage bar graph.



SOFTWARE UPDATES

ETHERNET UPDATER

Click Update, then wait for the download Progress to reach 100% before closing Updater. The Elation Ethernet Updater can update up to 31 fixtures via connection to a PC.



MAINTENANCE GUIDELINES



DISCONNECT POWER BEFORE PERFORMING ANY MAINTENANCE!

CLEANING

Frequent cleaning is recommended to ensure proper function, optimized light output, and an extended life. The frequency of cleaning depends on the environment in which the fixture operates: damp, smoky or particularly dirty environments can cause greater accumulation of dirt on the fixture's optics. Periodically clean the external lens surface with a soft cloth to avoid dirt/debris accumulation. **NEVER** use alcohol, solvents, or ammonia-based cleaners.

MAINTENANCE

Regular inspections are recommended to ensure proper function and extended life. There are no user serviceable parts inside this fixture. Please refer all other service issues to an authorized Elation service technician. Should you need any spare parts, please order genuine parts from your local Elation dealer.

Please refer to the following points during routine inspections:

- A detailed electric check by an approved electrical engineer every three months, to make sure the circuit contacts are in good condition and prevent overheating.
- Be sure all screws and fasteners are securely tightened at all times. Loose screws may fall out during normal operation, resulting in damage or injury as larger parts could fall.
- Check for any deformations on the housing, color lenses, rigging hardware, and rigging points (ceiling, suspension, trussing). Deformations in the housing could allow for dust to enter into the fixture. Damaged rigging points or unsecured rigging could cause the fixture to fall and seriously injure a person(s).
- Electric power supply cables must not show any damage, material fatigue or sediments. **NEVER** remove the ground prong from the power cable.

FIXTURE DISASSEMBLY

The following points should be observed after performing any maintenance procedure that requires disassembly of the unit:

- After the unit has been reassembled, open the valve and allow the unit to run for approximately 2 hours in order to dry out any moisture that has been trapped inside the fixture. The process should continue until indicated humidity drops below 15% for the head and 30% for the base.
- Once this has been achieved, the light can be switched off, but the unit should remain connected to power so that the cooling fan can cool down the unit. Please note that allowing cool down time should **ALWAYS** be done after lamp operation.
- Some units may require partial disassembly in order to gain access to the valve. Please contact Elation service for information regarding the location and access procedure for the valve on your specific unit model.

SPECIFICATIONS

SOURCE

High Efficiency 850W 6,500K Variable CRI
White LED Engine

30,000 Hour Average LED Life*

*Test lab conditions. May vary depending on several factors including but not limited to: Environmental Conditions, Power/Voltage, Usage Patterns (On-Off Cycling), Control, and Dimming.

PHOTOMETRIC DATA

30800 Total Lumen Fixture Output @ CRI 80

TruTone variable CRI up to CRI 93

Zoom Range 5.5° - 50°

EFFECTS

Motorized Zoom

4 Rotating Full Blackout Framing Blades

+/-45° Framing Indexing

Full 360° Bi-Directional Animation Wheel

4-Facet and Linear Rotating Prisms

2 Variable Frost Filters (Light and Wash)

Internal Color, Framing, Prism, and Frost
Macros

Motorized Iris with Variable Pulse Effects

Variable 16-bit Dimming Curve Modes

High Speed Electronic Shutter and Strobe

DMX Controllable LED Refresh Rate

Pan Angle: 540°/630°

Tilt Angle: 250°

COLOR

CMY Color Mixing

Linear CTO Color Correction

5 Dichroic Colors including UV Filter

GOBOS

3 Gobo Wheels

6 Rotating Gobos (Wheel #1)

7 Rotating Gobos (Wheel #2)

7 Static Gobos (Wheel #3)

CONTROL / CONNECTIONS

4 DMX Channel Modes

16-bit Pan, Tilt and Dimming Control

Motorized Focus and Auto-Focus Presets

DMX, RDM, Art-NET, sACN Protocol Support

(6) Button Touch Control Panel

Full Color 180° Reversible LCD Menu Display

Hibernation Mode (Power Save)

IP65 Locking 5pin XLR Connector In/Out

IP65 Locking RJ45 Ethernet Connector In/Out

IP65 Locking Power Connector In

With Wired Digital Communication Network

SIZE WEIGHT

Length: 18.40 in (468mm)

Width: 14.57 in (370mm)

Height: 27.2 in (692mm)

Weight: 92.6 lbs. (42 kg)

ELECTRICAL

AC 120-240V 50/60Hz

Max Power Consumption 1500W

-4°F to 113°F (-20°C to 45°C)

BTU/hr (+/- 10%) 3239.5

INCLUDED ITEMS

Omega Brackets (x2)

IP66 Rated RJ45 DATA Cable (Fixture to
Fixture Interconnect Use Only!)

IP66 Rated Twist-Lock Power Cable

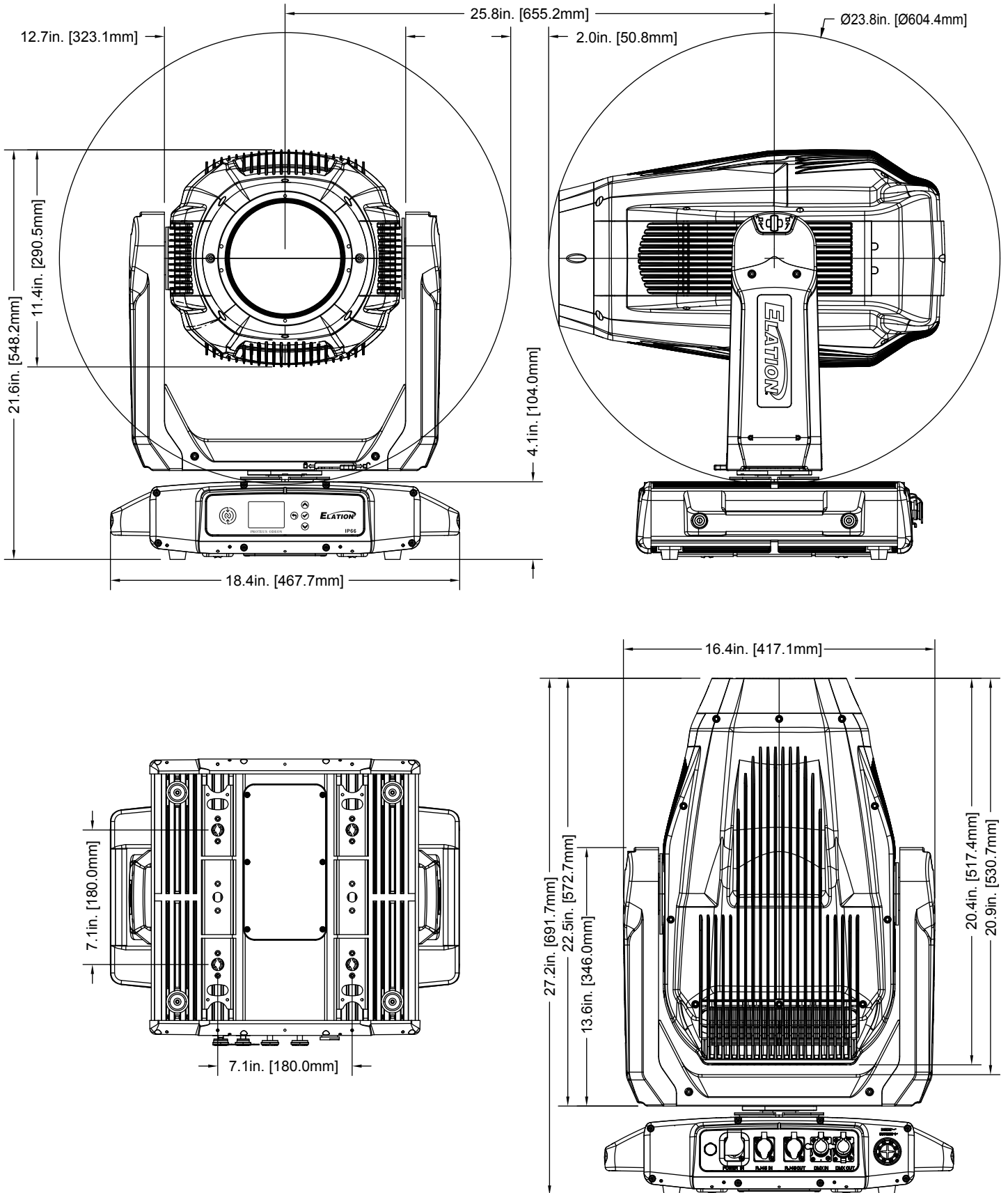
APPROVALS / RATINGS

CE | cETLus | IP66

Specifications and documentation subject to change without notice.

DIMENSIONAL DRAWINGS

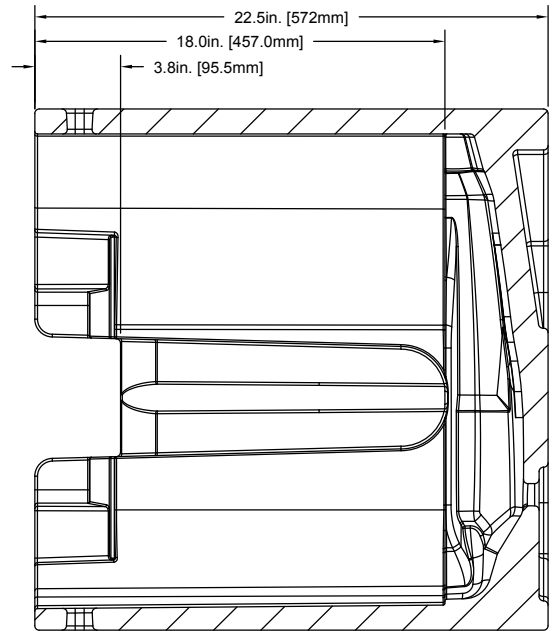
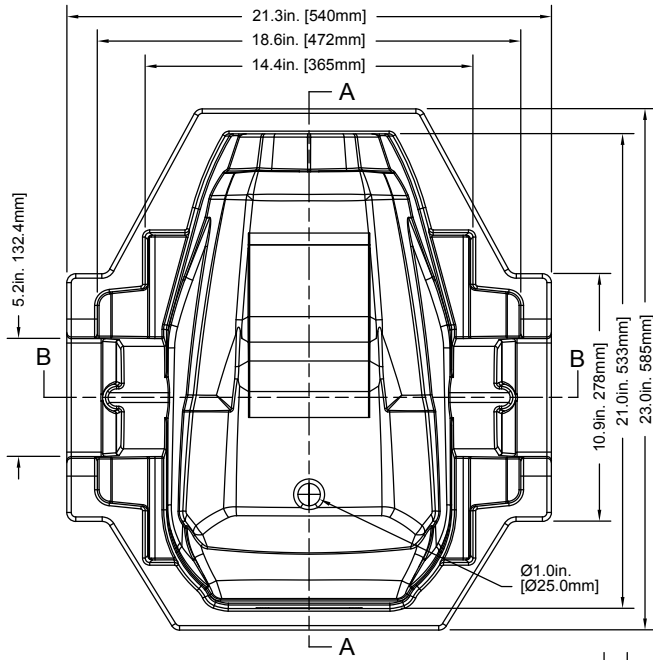
DRAWINGS NOT TO SCALE



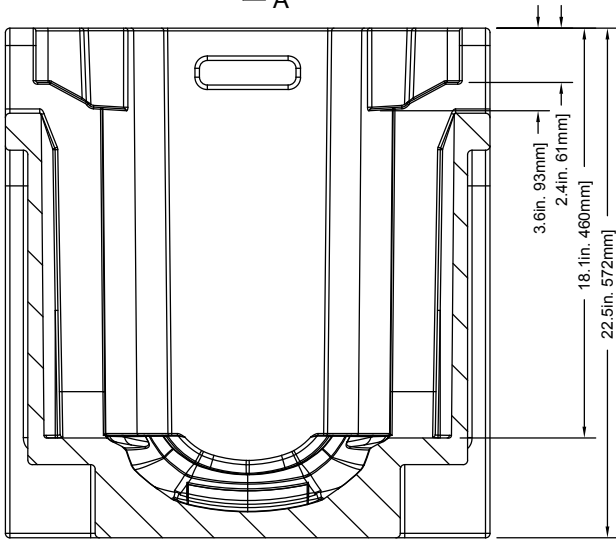
Specifications and documentation subject to change without notice.

DIMENSIONAL DRAWINGS

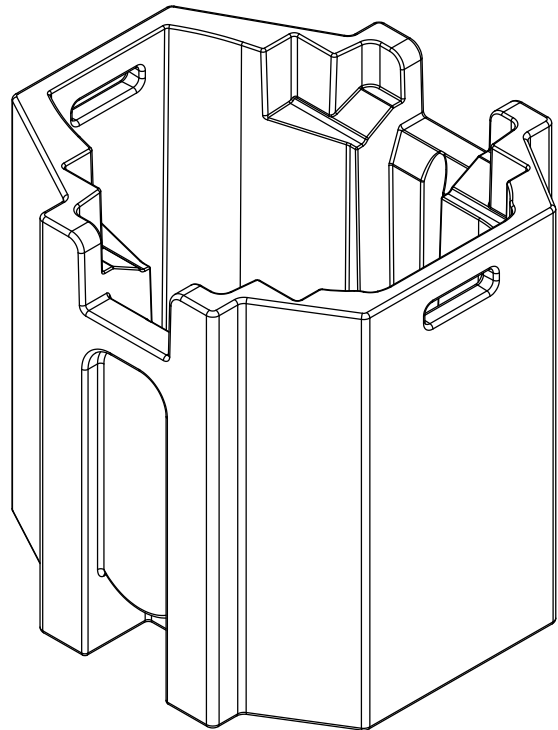
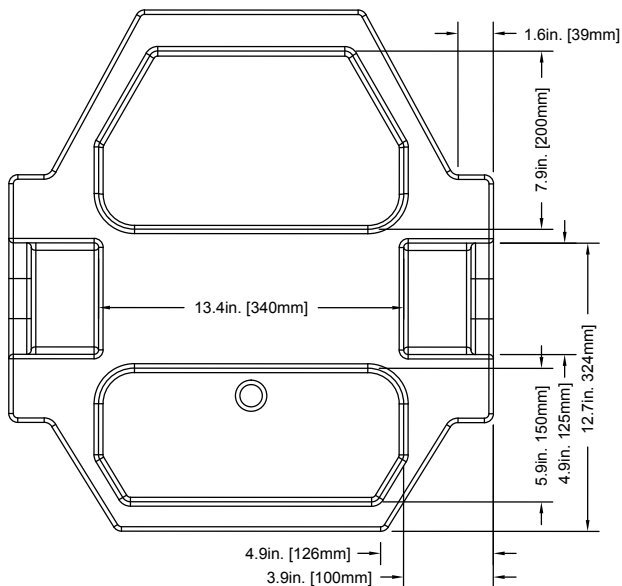
DRAWINGS NOT TO SCALE



A - A



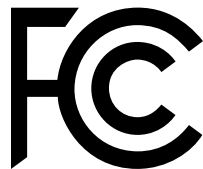
B - B



Specifications and documentation subject to change without notice.

OPTIONAL ACCESSORIES

ORDER CODE		ITEM
US	EU	
PRO621	1237000273	Proteus Odeon
TRIGGER CLAMP	N/A	Heavy Duty Wrap Around Hook Style Clamp
SIP126	N/A	5 ft. (1.5m) IP66 Twist Lock Power Link Cable
AC5PDMX5PRO	N/A	5 ft. (1.5m) 5pin PRO DMX Cable
		Additional Cable Lengths Available



FCC STATEMENT

This device complies with Part 15 of the FCC Rules. Operation is subject to the following two conditions: (1) this device may not cause harmful interference, and (2) this device must accept any interference received, including interference that may cause undesired operation.

FCC RADIO FREQUENCY INTERFERENCE WARNINGS & INSTRUCTIONS

This product has been tested and found to comply with the limits as per Part 15 of the FCC Rules. These limits are designed to provide reasonable protection against harmful interference in a residential installation. This device uses and can radiate radio frequency energy and, if not installed and used in accordance with the included instructions, may cause harmful interference to radio communications. However, there is no guarantee that interference will not occur in a particular installation. If this device does cause harmful interference to radio or television reception, which can be determined by turning the device off and on, the user is encouraged to try to correct the interference by one or more of the following methods:

- Reorient or relocate the device.
- Increase the separation between the device and the receiver.
- Connect the device to an electrical outlet on a circuit different from which the radio receiver is connected.
- Consult the dealer or an experienced radio/TV technician for help.

Energy Saving Matters (EuP 2009/125/EC)

Saving electric energy is a key to help protecting the environment. Please turn off all electrical products when they are not in use. To avoid power consumption in idle mode, disconnect all electrical equipment from power when not in use. Thank you!

